

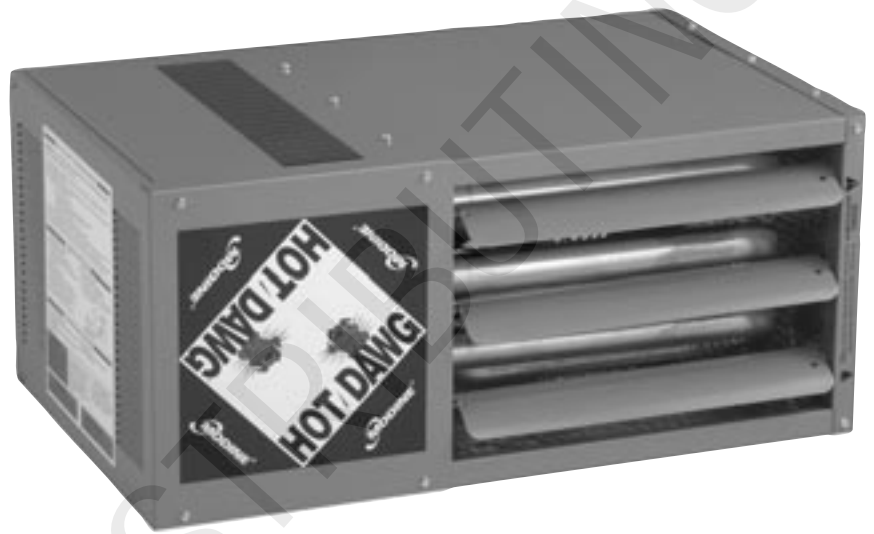


MODEL HD - HOT DAWG

Gas Fired, Power-Exhausted, Low Profile Unit Heater
30,000 Btu thru 75,000 Btu Models

Features:

- 80% thermal efficiency
- Horizontal or vertical venting
- Field convertible to propane
- Low profile casing
- Hot surface ignition
- Mounting brackets supplied
- Commercial or residential applications
- Quiet operation
- Standard power exhauster simplifies side-wall or roof venting with small diameter vent-pipe
- Light weight, allows suspension from ceiling with only 2 angle brackets (included)
- Heat exchanger made from corrosion-resistant aluminized steel
- Full 10 year warranty on heat exchanger



UNIT HEATERS

MODEL HD PERFORMANCE DATA				
	Model Number			
	HD 30	HD 45	HD 60	HD 75
Btu/Hr Input	30,000	45,000	60,000	75,000
Btu/Hr Output	24,000	36,000	48,000	60,000
Vent Dia. (in.)*	3 or 5	3 or 5	3 or 5	3 or 5
CFM @ 70° F	505	720	990	1160
Air Temp. Rise (° F)	44	46	45	48
Maximum Mounting Height (ft.)	10	10	12	14
Heat Throw (ft.)	25	27	36	38
Motor HP	¹ / ₂₅	¹ / ₁₅	¹ / ₁₂	¹ / ₁₂
Price	\$1,004.00	\$1,060.00	\$1,110.00	\$1,156.00

* Vent size varies depending upon application
NOTE: Do not locate any gas-fired unit in areas with chlorinated, halogenated or acidic vapors in atmosphere.





MODEL PD and BD

Gas Fired, Gravity-Vented Unit Heaters
30,000 Btu thru 400,000 Btu Models



Features:

- 80% thermal efficiency
- Gravity-vented
- 12 propeller models and 11 blower models
- Available with intermittent pilot ignition
- Power exhaust optional
- Model PD is a gas fired, gravity vented propeller unit heater
- Propeller fan units are classified as zero static pressure type and should not be used with velocity generating discharge nozzles or ductwork connections
- The Model BD blower is a gas fired, gravity vented blower unit heater and is usually selected in place of the PD to overcome static pressures
- Equipment options include:
 - Blower and motor enclosures
 - Combination filter-rack and duct connections
 - Velocity generating nozzles
 - Deflector hoods

UNIT HEATERS

PERFORMANCE DATA

PROPELLER	Model Number											
	PD 30	PD 50	PD 75	PD 100	PD 125	PD 150	PD 175	PD 200	PD 250	PD 300	PD 350	PD 400
Btu/HR Input	30,000	50,000	75,000	100,000	125,000	150,000	175,000	200,000	250,000	300,000	350,000	400,000
Btu/Hr Output	24,000	40,000	60,000	80,000	100,000	120,000	140,000	160,000	200,000	240,000	280,000	320,000
Vent Dia. (in.)	3	4	5	6	6	7	7	7	8	9	10	10
CFM @ 70°F	440	740	1100	1460	1850	2180	2550	2870	3700	4460	4870	5440
Air Temp. Rise (°F)	51	50	51	51	50	51	51	52	50	50	53	54
Maximum Mounting Height (ft.)	7	9	12	14	14	16	17	15	19	21	20	19
Heat Throw (ft.)	25	33	41	49	51	55	59	51	67	74	70	69
Motor HP	1/40	1/40	1/12	1/12	1/8	1/8	1/6	1/6	1/3	1/2	3/4	3/4
Price	\$840.00	\$878.00	\$938.00	\$1,110.00	\$1,214.00	\$1,282.00	\$1,542.00	\$1,600.00	\$1,864.00	\$2,204.00	\$2,640.00	\$2,774.00
BLOWER	Model Number											
	BD 50	BD 75	BD 100	BD 125	BD 150	BD 175	BD 200	BD 250	BD 300	BD 350	BD 400	
Btu/HR Input	50,000	75,000	100,000	125,000	150,000	175,000	200,000	250,000	300,000	350,000	400,000	
Btu/Hr Output	40,000	60,000	80,000	100,000	120,000	140,000	160,000	200,000	240,000	280,000	320,000	
Vent Dia. (in.)	4	5	6	6	7	7	7	8	9	10	10	
Motor HP (Std 115V/60Hz/1Ph)	1/4	1/4	1/4	1/4	1/4	1/3	1/4	1/3	3/4	1	1 1/2	
Air Flow CFM Range	529 - 926	794 - 1389	1058 - 1852	1323 - 2315	1587 - 2778	1852 - 3241	2116 - 3704	2646 - 4630	3175 - 5556	3704 - 6481	4233 - 7407	
Air Temp Rise Range (°F)	40-70	40-70	40-70	40-70	40-70	40-70	40-70	40-70	40-70	40-70	40-70	
Price	**** CALL FOR PRICING ****											

82 NOTE: Do not locate any gas-fired unit in areas with chlorinated, halogenated or acidic vapors in atmosphere.



Phone: (312) 733-1033 1029-37 W. Adams St., Chicago, IL 60607
 Fax: (312) 733-1721 Toll Free: 888-733-2700 www.mid-lakes.com



MODEL PDP and BDP

Gas Fired, Power-Exhausted, High Efficiency II Unit Heaters
30,000 Btu thru 400,000 Btu Models

Features:

- 80% thermal efficiency
- Horizontal or vertical venting
- Intermittent pilot ignition
- Power exhaust that can be rotated 180°
- Can be vented vertically or horizontally
- Level hanging mechanism for easy field adjustments
- Field convertible to propane

High Efficiency II



UNIT HEATERS

PERFORMANCE DATA

PROPELLER	Model Number											
	PDP 30	PDP 50	PDP 75	PDP 100	PDP 125	PDP 150	PDP 175	PDP 200	PDP 250	PDP 300	PDP 350	PDP 400
Btu/HR Input	30,000	50,000	75,000	100,000	125,000	150,000	175,000	200,000	250,000	300,000	350,000	400,000
Btu/Hr Output	24,000	40,000	60,000	80,000	100,000	120,000	140,000	160,000	200,000	240,000	280,000	320,000
Vent Dia. (in.)	3 or 4	3 or 4	4	4	4	5	5	5	6	6	6	6
CFM @ 70°F	440	740	1100	1460	1850	2180	2550	2870	3700	4460	4870	5440
Air Temp. Rise (°F)	51	50	51	51	50	51	51	52	50	50	53	54
Maximum Mounting Height (ft.)	7	9	12	14	14	16	17	15	19	21	20	19
Heat Throw (ft.)	25	33	41	49	51	55	59	51	67	74	70	69
Motor HP	1/40	1/40	1/12	1/12	1/8	1/8	1/6	1/6	1/3	1/2	3/4	3/4
Price	Call for Pricing	\$1,022.00	\$1,168.00	Call	\$1,366.00	\$1,726.00	\$1,880.00	\$1,962.00	\$2,318.00	Call	\$2,748.00	

BLOWER	Model Number											
	BDP 50	BDP 75	BDP 100	BDP 125	BDP 150	BDP 175	BDP 200	BDP 250	BDP 300	BDP 350	BDP 400	
Btu/HR Input	50,000	75,000	100,000	125,000	150,000	175,000	200,000	250,000	300,000	350,000	400,000	
Btu/Hr Output	40,000	60,000	80,000	100,000	120,000	140,000	160,000	200,000	240,000	280,000	320,000	
Vent Dia. (in.)	3 or 4	4	4	4	5	5	5	6	6	6	6	
Motor HP (Std 115V/60Hz/1Ph)	1/4	1/4	1/4	1/4	1/4	1/3	1/4	1/3	3/4	1	1 1/2	
Air Flow CFM Range	529 - 926	794 - 1389	1058 - 1852	1323 - 2315	1587 - 2778	1852 - 3241	2116 - 3704	2646 - 4630	3175 - 5556	3704 - 6481	4233 - 7407	
Air Temp Rise Range (°F)	40-70	40-70	40-70	40-70	40-70	40-70	40-70	40-70	40-70	40-70	40-70	
Price	**** CALL FOR PRICING ****											

NOTE: Do not locate any gas-fired unit in areas with chlorinated, halogenated or acidic vapors in atmosphere.





MODELS PSH and BSH (2 Pipe)

Gas Fired, Separated Combustion, High Efficiency Unit Heaters
130,000 Btu thru 340,000 Btu Models



Features:

- 82% thermal efficiency
- Separated combustion – high efficiency
- Horizontal or vertical venting
- 100% outside air for combustion
- Stainless steel secondary heat exchanger tubes
- Horizontal or vertical concentric venting

PERFORMANCE DATA

PROPELLER	Model Number					
	PSH 130	PSH 150	PSH 170	PSH 225	PSH 280	PSH 340
Btu/HR Input	130,000	150,000	170,000	225,000	280,000	340,000
Btu/Hr Output	106,600	123,000	139,400	184,500	229,600	275,400
Vent Dia. (in.)	4	4	4	4	6	6
CFM @ 70°F	2540	2900	2900	4275	4400	5300
Air Temp. Rise (°F)	39	39	45	40	48	48
Maximum Mounting Height (ft.)	12	16	16	20	20	20
Heat Throw (ft.)	50	50	50	65	65	65
Motor HP	1/6	1/6	1/6	1/3	1/2	1/2
Price	\$2,742.00	\$2,980.00	\$3,078.00	\$3,440.00	\$4,114.00	\$4,628.00
BLOWER	Model Number					
	BSH 130	BSH 150	BSH 170	BSH 225	BSH 280	BSH 340
Btu/HR Input	130,000	150,000	170,000	225,000	280,000	340,000
Btu/Hr Output	106,600	123,000	139,400	184,500	229,600	275,400
Vent Dia. (in.)	4	4	4	4	6	6
Motor HP (Std 115V/60Hz/1Ph)	1/4	1/2	1/2	3/4	1	1
Air Flow CFM Range	1161- 1795	1340- 2071	1591- 2347	1985- 3068	2501- 3865	3000- 4636
Air Temp Rise Range (°F)	55-85	55-85	55-85	55-85	55-85	55-85
Price	**** CALL FOR PRICING ****					

NOTE: Do not locate any gas-fired unit in areas with chlorinated, halogenated or acidic vapors in atmosphere.



MODEL DFG

Gas Fired, Indoor, Gravity Vented Duct Furnaces
75,000 Btu thru 400,000 Btu Models

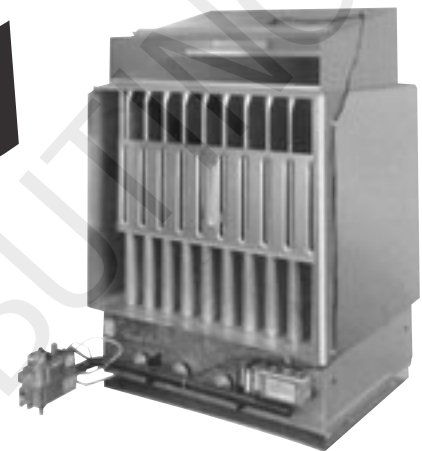
Features:

- 75,000 to 45,000 Btu/Hr input capacity
- Heating and/or make-up air applications

Optional:

- 409 stainless steel heat exchanger and burner
- 409 stainless steel drip pan
- Two stage, mechanical modulation and electronic modulation controls
- Building management compatible gas controls using 0 – 10 Vdc or 4 – 20 mA input

CALL FOR PRICING



MODEL DFG PERFORMANCE DATA

Model Number	Btu/Hr		Without Air Baffle		With Air Baffle	
	Input	Output	Temp Rise Range (°F)	CFM Range	Temp Rise Range (°F)	CFM Range
DFG 75	75,000	60,000	20 - 60	926 - 2,778	20 - 100	556 - 2,778
DFG100	100,000	80,000	20 - 60	1,235 - 3,704	20 - 100	741 - 3,704
DFG125	125,000	100,000	20 - 60	1,543 - 4,630	20 - 100	926 - 4,630
DFG150	150,000	120,000	20 - 60	1,852 - 5,556	20 - 100	1,111 - 5,556
DFG175	175,000	140,000	20 - 60	2,160 - 6,481	20 - 100	1,296 - 6,481
DFG200	200,000	160,000	20 - 60	2,469 - 7,407	20 - 100	1,481 - 7,407
DFG225	225,000	180,000	20 - 60	2,778 - 8,333	20 - 100	1,667 - 8,333
DFG250	250,000	200,000	20 - 60	3,086 - 9,259	20 - 100	1,852 - 9,259
DFG300	300,000	240,000	20 - 60	3,704 - 11,111	20 - 100	2,222 - 11,111
DFG350	350,000	280,000	20 - 60	4,321 - 12,963	23 - 100	2,593 - 11,111
DFG400	400,000	320,000	20 - 60	4,938 - 14,815	27 - 100	2,963 - 11,111

NOTE: Do not locate any gas-fired unit in areas with chlorinated, halogenated or acidic vapors in atmosphere.

UNIT HEATERS





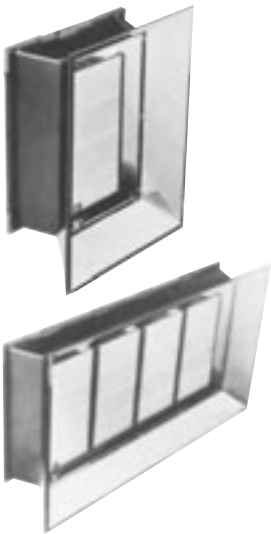
MODEL MT

Gas Fired, High Intensity Infrared Units
27,500 Btu thru 160,000 Btu Models

Features:

- High intensity Model MT – 13 models available
- Simple chain mounting
- High heat transfer diamond-faced ceramic tiles
- Unvented operation
- Ideal for spot heating
- Aluminized steel frame

**CALL FOR
PRICING**



UNIT HEATERS

MODEL MT PERFORMANCE DATA

Model Number	Btu/Hr Input	Recommended Mounting Height (ft.) @ 10° Angle
MT 28	27,500	8 - 14
MT 30	30,000	8 - 14
MT 33	33,500	8 - 14
MT 56	55,000	14 - 20
MT 60	60,000	14 - 20
MT 66	67,000	14 - 20
MT 84	82,500	20 - 26
MT 90	90,000	20 - 26
MT 99	100,500	20 - 26
MT 112	110,000	26 - 32
MT 120	120,000	26 - 32
MT 132	132,000	26 - 32
MT 160	160,000	26 - 40

NOTE: Do not locate any gas-fired unit in areas with chlorinated, halogenated or acidic vapors in atmosphere.



MODEL MV

Gas Fired, Low Intensity, Vacuum Infrared Units
75,000 Btu thru 150,000 Btu Models

Features:

- Vacuum Type, single burner low-intensity heaters
- 75,000 to 150,000 Btu/Hr input
- 20 to 60 foot system lengths
- Straight or u-tube configurations
- Simple chain mounting
- Designed for indoor vented installation
- Available in natural gas only
- Polished aluminum reflector directs infrared rays efficiently to desired area
- Utilizes low voltage controls

CALL FOR PRICING



MODEL MV PERFORMANCE DATA			
Model Number	Btu/Hr Input	System Lengths (ft.)	Recommended Mounting Height (ft.)
MV 75	75,000	20, 30, 40, 50	12 - 14
MV 100	100,000	30, 40, 50	12 - 14
MV 125	125,000	40, 50, 60	15 - 22
MV 150	150,000	40, 50, 60	15 - 22

NOTE: Do not locate any gas-fired unit in areas with chlorinated, halogenated or acidic vapors in atmosphere.

UNIT HEATERS

MID-LAKES DISTRIBUTING





MODEL HS

Steam/Hot Water, Horizontal Delivery Unit Heaters
12,600 Btu thru 340,000 Btu Models



Features:

- Totally enclosed motor
- Adjustable horizontal blades
- Top and bottom inlet and outlet piping
- Built-in fan safety guard
- Thermal overload protection

MODEL HS PERFORMANCE DATA

Model Number	Motor Data		Standard Models										
			Steam (2# Steam, 60°F Ent. Air)			Hot Water (200°F in 180°F out, 60°F Ent Air)			CFM	Max Mounting Height (ft.)	Heat Spread (Ft.)	Price	
			Btu/Hr	Condensate (lbs/hr)	Final Air Temp. (°F)	Btu/Hr	Water Flow (GPM)	Final Air Temp (°F)					Press. Drop (Ft of Water)
HS 18	1/60	1550	18,000	18	107	12,600	1.3	93	0.5	340	8	17	\$556.00
HS 24	1/25	1550	24,000	25	119	16,200	1.7	100	0.8	370	9	18	\$600.00
HS 33	1/25	1550	33,000	35	108	21,700	2.3	91	0.2	630	10	21	\$728.00
HS 47	1/12	1550	47,000	49	119	30,900	3.2	98	0.4	730	12	28	\$850.00
HS 63	1/12	1550	63,000	66	111	45,600	4.7	97	0.6	1,120	14	29	\$938.00
HS 86	1/8	1625	86,000	89	118	60,200	6.3	101	1.0	1,340	15	31	\$1,004.00
HS 108	1/8	1625	108,000	111	109	83,700	8.7	98	2.8	2,010	17	31	\$1,236.00
HS 121	1/5	1075	121,000	126	122	93,000	9.7	107	3.3	1,775	16	25	\$1,326.00
HS 165	1/3	1075	165,000	170	106	130,900	13.6	96	8.6	3,240	19	40	\$1,644.00
HS 193	1/3	1075	193,000	200	121	143,000	14.9	105	1.4	2,900	18	38	\$1,872.00
HS 258	1/2	1075	258,000	267	111	201,900	21	100	5.7	4,560	19	44	\$2,538.00
HS 290	1/2	1075	290,000	300	117	228,600	23.8	105	7.1	4,590	20	46	\$2,622.00
HS 340	1/2	1075	340,000	352	120	271,100	28.2	108	11.3	5,130	20	46	\$3,010.00



MODEL V

Steam/Hot Water, Vertical Delivery Unit Heaters
30,100 Btu thru 952,000 Btu Models

Features:

- 15 standard models
- Totally enclosed motors
- 33,000 to 952,000 Btu/Hr input
- Built-in fan safety guard



MODEL VS PERFORMANCE DATA													
Model Number	Motor Data		Standard Models										
			Steam (2# Steam, 60°F Ent. Air)			Hot Water (200°F in 180°F out, 60°F Ent Air)				CFM	Max Mounting Height (ft.)	Heat Spread (Ft.)	Price
			Btu/Hr	Condensate (lbs/hr)	Final Air Temp. (°F)	Btu/Hr	Water Flow (GPM)	Final Air Temp (°F)	Press. Drop (Ft of Water)				
V 42	1/30	1050	42,000	43	103	30,100	3.1	90	0.6	950	15	11	\$832.00
V 59	1/30	1050	59,000	61	111	42,600	4.4	96	0.5	1,155	19	14	\$934.00
V 78	1/15	1050	78,000	81	109	57,000	5.9	95	0.5	1,590	20	15	\$1,062.00
V 95	1/15	1050	95,000	99	118	69,300	7.2	101	0.5	1,665	20	15	\$1,124.00
V 139	1/5	1075	139,000	144	112	106,600	11.1	99	2.6	2,660	24	18	\$1,310.00
V 161	1/3	1075	161,000	167	115	123,200	12.8	101	2.2	2,940	27	20	\$1,556.00
V 193	1/3	1075	193,000	200	116	147,200	15.3	101	2.2	3,500	30	22	\$1,690.00
V 212	1/3	1075	212,000	219	120	161,700	16.8	104	1.5	3,610	30	22	\$1,910.00
V 247	1/2	1075	247,000	256	111	188,700	19.7	98	2.1	4,820	34	26	\$2,164.00
V 279	1/2	1075	279,000	288	111	212,600	22.2	98	2.1	5,460	37	30	\$2,230.00
V 333	3/4	1140	333,000	345	116	260,100	27.1	102	3.8	5,980	37	30	\$3,084.00
V 385	1	1140	385,000	398	110	302,100	31.5	98	5.0	7,680	36	30	CALL FOR PRICING
V 500	1 1/2	1140	500,000	518	108	391,700	40.8	96	4.8	10,390	44	37	
V 610	1 1/2	1140	610,000	631	112	450,400	46.9	97	1.0	11,750	43	36	
V 952	2	1140	952,000	986	139	721,600	75.2	120	1.1	12,170	45	56	

UNIT HEATERS





MODEL C and CW

Steam/Hot Water Cabinet Unit Heaters

Features:

- One or two row copper tube
- Motor with built-in thermal overload protection, 115v/60/1 phase
- Unit mounted, solid state speed control
- Permanent, cleanable air filter
- Sound dampening insulation on front panels



MODEL C & CW PERFORMANCE DATA												
Unit Size	Hot Water (200°F in 180°F out, 60°F Ent. Air)								Steam (2# Steam, 60°F Ent. Air)			
	Standard Coil				High Capacity Coil				Standard Coil			
	Btu/Hr	GPM	CFM	Final Air Temp. (°F)	Btu/Hr	GPM	CFM	Final Air Temp. (°F)	Btu/Hr	GPM	CFM	Final Air Temp. (°F)
2	12,400	1.28	250	106	23,200	2.4	250	146	19,800	250	21	133
3	21,100	2.23	330	121	33,400	3.6	325	155	28,300	330	29	133
4	28,100	2.87	450	117	45,800	4.7	440	156	42,500	450	44	147
6	44,300	4.43	620	126	59,700	6.0	615	150	52,100	620	54	137
8	48,800	5.00	840	113	71,900	7.4	835	139	67,700	840	70	134
10	55,700	5.70	1050	108	84,600	8.7	1040	135	76,000	1050	79	126
12	72,300	7.40	1240	113	105,600	10.8	1220	140	95,400	1240	99	130
14	79,200	8.10	1430	111	118,300	12.1	1410	137	102,600	1430	106	126

Model C: Exposed floor mounted unit
 Model CW: Exposed wall or ceiling unit (also available recessed (full or partial))

UNIT HEATERS



CALL FOR PRICING

WEATHER HAWK

Weatherproof Gas Fired System Units
75,000 Btu thru 1,200,000 Btu Models
Heating, Cooling, Ventilating and Make-Up Air Units

Features:

- Applications cover: heating only, heating/ventilating, cooling, and/or make-up air
- 75,000 to 1,200,000 Btu/hr input capacity
- ETL certification of the entire system unit
- 18 gauge insulated aluminized steel cabinet
- Blower performance up to 3.0" W.C. external static pressure
- Side or bottom (through a roof curb) gas and electrical connection access

Optional Features:

- DX or chilled water section with factory installed cooling coil
- Double wall construction for blower, cooling cabinet, and/or downturn plenum sections
- Dead-front disconnect switches
- Two-position, modulating, building pressure sensing, three position, building management (0 – 10 Vdc or 4 – 20 mA input) damper actuators
- Blower and motor vibration insulation



UNIT HEATERS

PERFORMANCE DATA - MODELS HBG/HCG/HDG/HPG

Model Number	Btu/Hr Input	Btu/Hr Output	Temperature Rise Range (°F)	CFM Range	Total Static Pressure Range (inches w.c.)
75	75,000	60,000	20 - 100	556 - 2,778	0 - 3.0
100	100,000	80,000	20 - 100	741 - 3,704	0 - 3.0
125	125,000	100,000	20 - 100	926 - 4,630	0 - 3.0
150	150,000	120,000	20 - 100	1,111 - 4,630	0 - 3.0
175	175,000	140,000	23 - 100	1,296 - 5,556	0 - 3.0
200	200,000	160,000	23 - 100	1,481 - 6,500	0 - 3.0
225	225,000	180,000	26 - 100	1,667 - 6,500	0 - 3.0
250	250,000	200,000	20 - 100	1,852 - 9,259	0 - 3.0
300	300,000	240,000	20 - 100	2,222 - 11,111	0 - 3.0
350	350,000	280,000	22 - 100	2,593 - 12,000	0 - 3.0
400	400,000	320,000	25 - 100	2,963 - 12,000	0 - 3.0
500	500,000	400,000	40 - 120	3,086 - 9,259	0 - 3.0
600	600,000	480,000	40 - 120	3,704 - 11,111	0 - 3.0
700	700,000	560,000	40 - 120	4,321 - 12,963	0 - 3.0
800	800,000	640,000	41 - 120	4,938 - 14,500	0 - 3.0
840	1,050,000	840,000	60 - 120	6,481 - 12,963	0 - 3.0
960	1,200,000	960,000	63 - 120	7,401 - 14,500	0 - 3.0



MODEL MDB/MRB

Direct Fired Make-Up Air Units

Features:

- ETL Certified
- Btu/hr outputs from 42,000 to 7,862,000
- CFM ranges from 1,600 to 60,000
- 100% make-up air and recirculating configurations
- 100% thermal efficiency (92% sensible) results in lower fuel bills
- Designed for indoor or outdoor mounting
- MDB - single and two speed 100% make-up air
- MRB - fresh and return air
- Factory wired electrical panel
- 100% factory flame testing
- Adjustable drives through 10 HP
- 22:1 firing rate turndown for optimum temperature control

CALL FOR
PRICING





Other Available Modine Applied Products

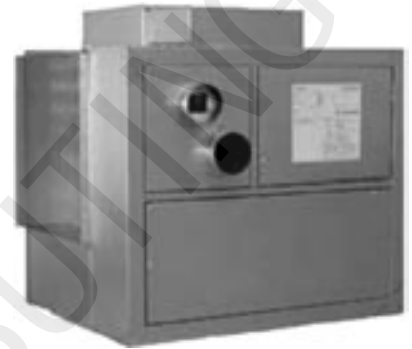
Outdoor Models

- Model HFG/HFP Weatherhawk Weatherproof Duct Furnaces
75,000 to 400,000 Btu Input
Gravity or power vented models

Indoor Models

- Model DFS Duct Furnace
Separated combustion
75,000 to 400,000 Btu input
- Model DBS/DCS – Heating, Ventilating and Make-Up Air
75,000 to 1,200,000 Btu input
Separated combustion systems
Large selection of fan/drive and motors
CFM range from 600 CFM to 14,500 CFM
DX or chilled water coil section available
- Model DBG/DCG – Atmospheric (gravity vented) Heating, Ventilating, Make-Up Air
75,000 to 1,200,000 Btu input
Large selection of fan/drive and motors
CFM range from 600 CFM to 14,500 CFM
DX or chilled water coil section available

CALL FOR PRICING

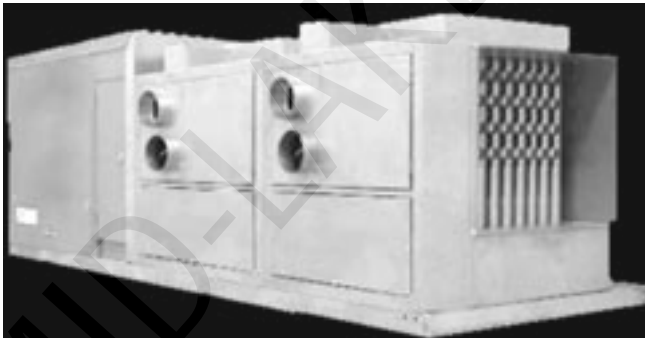


DFS



HFG

UNIT HEATERS



DBS



DBG