



Vented Room Heaters Console and Visual Flame Heaters 50,000 Btu and 65,000 Btu Models



Features:

- Heats without electricity
- Console or visual flame design
- Draft diverter install to either horizontal or vertical position
- Matchless piezo ignition
- Automatic blower included on RH-50B and RH-65B
- Combustion chamber carries a 10-year limited warranty and all other parts carry a 1-year limited warranty

SPACE/WALL HEATERS

EMPIRE VENTED ROOM HEATERS					
Model		RH-50B	RH-50CB	RH-65B	RH-65CB
Color		Beige	Beige	Beige	Beige
Btu Input		50,000	50,000	65,000	65,000
Dimensions (W x D x H)		34" x 16" x 23 3/16"	34" x 16" x 23 3/16"	34" x 20" x 27 11/16"	34" x 20" x 27 11/16"
Depth Including Diverter		29 9/16"	29 9/16"	29 9/16"	29 9/16"
Shipping Weight		124	124	142	142
Hydraulic Thermostat		Yes	Yes	Yes	Yes
Accessories	Blower Kit	Included	Included	Included	Included
	Output (cu ft/min)	100	100	100	100
Min Clearances to Combustibles from:	Top	55"	55"	55"	55"
	Each Side	6"	6"	6"	6"
	Opposite Side	18"	18"	18"	18"
	Bottom of Unit to Wood Floor	0"	0"	0"	0"
	Draft Diverter to Wall	2"	2"	2"	2"
Nat Gas Inlet	Iron Pipe Size	1/2"	1/2"	1/2"	1/2"
	Wall to Valve Inlet	8 1/16"	8 1/16"	8 1/16"	8 1/16"
	Floor Covering to Valve Inlet	4 1/2"	4 1/2"	4 1/2"	4 1/2"
	Center of Heater to Valve Inlet	Left 6 13/16"	Left 6 13/16"	Left 6 13/16"	Left 6 13/16"
Venting	Size Flue Collar (vertical or horizontal)	5"	5"	5"	5"
	Floor to Collar on Draft Diverter in Vertical Position	27 3/16"	27 3/16"	27 3/16"	27 3/16"
	Floor to Center of Collar on Draft Diverter in Horizontal Position	22 9/16"	22 9/16"	22 9/16"	22 9/16"
Price		\$1410.00	\$1146.00	\$1540.00	\$1296.00

NOTE: B designates visual flame heater
CB designates closed front heater

FLOORBOARDS		
Model		Price
4163	Black for 50,000 and 65,000 Btu/hr models	\$70.00

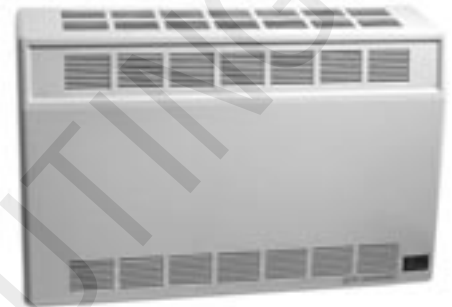


Direct Vent Wall Furnaces

10,000 Btu and 15,000 Btu Models

Features:

- Matchless piezo ignition
- No electricity needed for wall thermostat operation
- Heats without electricity
- Optional automatic blower available
- Includes vent kit to vent through outside wall
- Pilot and main burners include automatic shut off
- Combustion chamber carries a 10-year warranty; all other parts carry a 1-year limited warranty



EMPIRE DIRECT VENT WALL FURNACES			
Model	DV-210-SG	DV-215-SG	
Color	Beige	Beige	
Btu Input	10,000	15,000	
Dimensions (W x D x H)	16 1/4" x 9 3/8" x 21 3/8"	20 1/4" x 9 3/8" x 24 7/8"	
Shipping Weight (lbs)	42	60	
Millivolt Wall Tstat with Positive Off	Yes	Yes	
Accessories	Blower Kit	DVB-1	DVB-1
	Output (cu ft/min)	60	60
	Vinyl Siding Vent Kit	DV-822	DV-822
Min Clearances to Combustibles from:	Top	12"	12"
	Each Side	1"	1"
	Bottom of Unit to Floor Covering	0	0
Nat Gas Iron Pipe Size (N.P.T.)	1/2"	1/2"	
Wall to Valve Inlet	6 3/16"	6 3/16"	
Right Side to Valve Inlet	6 7/8"	6 7/8"	
Center of Vent to Valve Inlet	N/A	N/A	
Valve Inlet to Floor Covering	2 11/16"	2 11/16"	
Venting	Min Wall Depth	4 1/2"	4 1/2"
	Max Wall Depth	13"	13"
	Vent Opening in Wall	6 1/4" Diameter	6 1/4" Diameter
	Center of Vent to Nearest Outside Corner of Bldg or Obstruction	16"	16"
	Center of Vent from Any Opening Through which Flue Gases Could Enter a Bldg	6"	9"
	Bottom of Vent Above Grade	12"	12"
	Edge of Vent to Nearest Projecting Surface	6"	6"
	Vent Projection from Outside Wall	4"	4"
	Center of Flue to Floor Covering	15 7/8"	19 3/8"
Price	\$768.00	\$862.00	

SPACE/WALL HEATERS





Direct Vent and Vented Counterflow Wall Furnaces 35,000 Btu thru 55,000 Btu Models

Features:

- DVC-35 and FAW-40 may be recessed between standard wall studs
- DV-55 and DVC-35 install on outside walls (direct vent)
- FAW-55 and FAW-40 install on inside or outside walls (chimney vent)
- Matchless piezo ignition
- Convenient 24-volt wall thermostat
- Counterflow blower circulates warm air at floor level
- Multi-room heating capacity with optional outlet kits
- 76% AFUE



SPACE/WALL HEATERS



Direct Vent and Vented Counterflow Wall Furnaces

EMPIRE DIRECT VENT AND VENTED COUNTERFLOW WALL FURNACES

Model	DVC-35-SPP	DV-55-SP	FAW-40-SPP	FAW-55-SPP	
Color	Beige	Beige	Beige	Beige	
Btu Input	35,000	55,000	40,000	55,000	
Overall Dimensions (W x D x H)	14 1/8" x 10 3/8" x 72 1/2"	16" x 11 5/16" x 82 3/8"	14 1/8" x 10 3/8" x 72 1/2"	16" x 11 5/16" x 82 3/8"	
Shipping Weight (lbs)	115	140 (two cartons)	110	135	
Electric 24-volt Wall Tstat Positive Off Setting	Yes	Yes	Yes	Yes	
Blower Output (cu ft/min)	275	400	275	400	
Accessories	Side Outlet Register	SOR-1	SOR-1	SOR-1	
	10" Side Outlet Kit	SOK-1	SOK-1	SOK-1	
	10" Rear Outlet Kit	N/A	N/A	ROK-1	
	Vent Enclosure	N/A	N/A	FVE-24(24")	
	Vent Enclosure	N/A	N/A	FVE-34(34")	
	Vent Enclosure	N/A	N/A	FVE-46(46")	
	Vinyl Siding Vent Kit	DV-822	DV-822	N/A	
	Vent Tube Extension Kit (fits wall up to 19")	Please call for info	Please call for info	N/A	
Min Clearances to Combustibles from:	Top (to ceiling)	4"	4"	4"	
	Each Side (to nearest adj wall)	4"	4" without register	4" without register	
	Bottom of Unit to Wood Floor	Zero	Zero	Zero	
	Center of Vent Conn Opening to Combustibles	N/A	N/A	1 3/4"	
	Depth Unit May Be Recessed	9 1/2"	4"	9 1/2"	
Gas Inlet (nat gas)	Iron Pipe Size	1/2"	1/2"	1/2"	
	Wall to Valve Inlet	7 3/4"	6 1/2"	7 3/4"	
	Center of Heater to Center of 1/2" Inlet Elbow	N/A	3"	N/A	
	Floor Covering to Valve Inlet	4"	3 3/4"	4"	
Venting	Size of Flue Collar	N/A	N/A	4" Oval	
	Size of Flue with Oval-to-Round Adapter	N/A	N/A	4" Round	
	Min Vent Opening in Ceiling	For Oval Type "B" Flue Pipe	N/A	N/A	4 1/2" x 9 1/4"
		For Round Type "B" Flue Pipe	N/A	N/A	6 1/2" Diameter
	Min Wall Depth	3/4"	4 1/2"	N/A	
	Max Wall Depth	10"	13"	N/A	
	Vent Opening Inside Wall Surface	7 1/2" Diameter	7 1/2" Diameter	N/A	
	Vent Opening Outside Wall Surface	7 1/2" Diameter	7 1/2" Diameter	N/A	
	Center of Vent to Nearest Outside Corner of Bldg	12"	24"	N/A	
	Edge of Vent to Nearest Projecting Surface	6"	6"	N/A	
	Vent Protection from Outside Wall	6"	6"	N/A	
Center of Flue to Floor Covering	59 1/4"	64 7/8"	N/A		
Price	\$1,478.00	\$1,706.00	\$1,284.00	\$1,510.00	

SPACE/WALL HEATERS

Pilot and main burners include automatic shut-off. Combustion chamber carries a 10-year limited warranty. All other parts carry a 1-year limited warranty.





Gravity Wall Furnace

25,000 to 50,000 Btu Models

Features:

- 70% AFUE
- GWT-25/35 furnace recesses into wall or mounts flush with GWTW-2
- Optional blower available
- Heat two rooms with dual wall unit GWT-50
- Combustion chamber carries a 10-year limited warranty, all other parts carry a 1-year limited warranty
- Pilot and main burners include automatic shutoff



SPACE/WALL HEATERS

EMPIRE GRAVITY WALL FURNACE

Model	GWT-25	GWT-35	GWT-50 Dual Wall
Color	Beige	Beige	Beige
Btu Input	25,000	35,000	50,000 (total) 25,000 (Each Room)
Casing Width	16"	16"	16"
Casing Depth	6"	6"	6"
Height	66 1/8"	66 1/8"	66 1/8"
Height (with optional blower kit)	71 7/8"	71 7/8"	71 7/8"
Shipping Weight (lbs)	92	98	156
Accessories	Blower Kit	GWTB-2	GWTB-2
	Output (cu ft/min)	75	75
Minimum Clearance to Combustibles from	Top	12"	12"
	Each Side	4"	4"
	Bottom of Unit to Floor Covering	1 1/2"	1 1/2"
Nat Gas Inlet Iron Pipe Size	1/2"	1/2"	1/2"
Size of Flue Collar (Type B)	4" Oval	4" Oval	4" Oval
Price	\$694.00	\$748.00	\$1,042.00

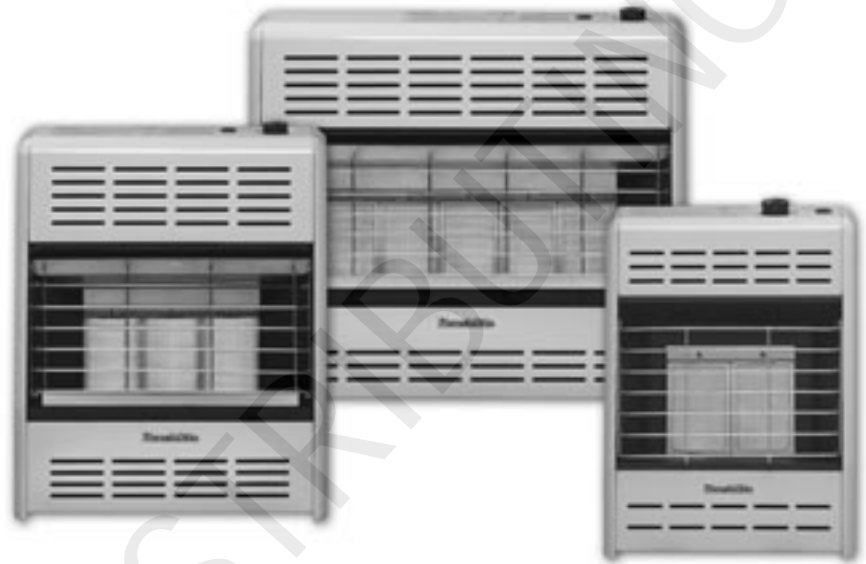


Ventless Radiant Gas Heaters

10,000 Btu thru 30,000 Btu Models

Features:

- 99.9% efficiency – turns more gas into heat
- Pushbutton piezo ignition and standing pilot
- Heats even when electric power fails
- Oxygen depletion sensor shuts off heater before oxygen drops to unsafe level
- Wall mount or floor stand
- 3-year limited warranty on parts



SPACE/WALL HEATERS

EMPIRE GRAVITY WALL FURNACE						
Model	Btu	Natural Gas	Controls	Dimensions (L x W x D)	Weight (lbs)	Price
HR10MN	10,000	Yes	Manual 2 Settings	19 1/4" x 14 5/8" x 5 5/8"	16	\$250.00
HR18TN	18,000	Yes	Thermostat	23 1/2" x 19 1/2" x 7"	35	\$366.00
HR30TN	30,000	Yes	Thermostat	23 1/2" x 27" x 7"	33	\$430.00

ACCESSORIES				
HAB01	Blower - Thermostat and Manual Control	HAS02	Floor Stand for 6,000 Btu to 10,000 Btu Models	\$64.00
		HAS03	Floor Stand for 15,000 Btu to 30,000 Btu Models	\$64.00

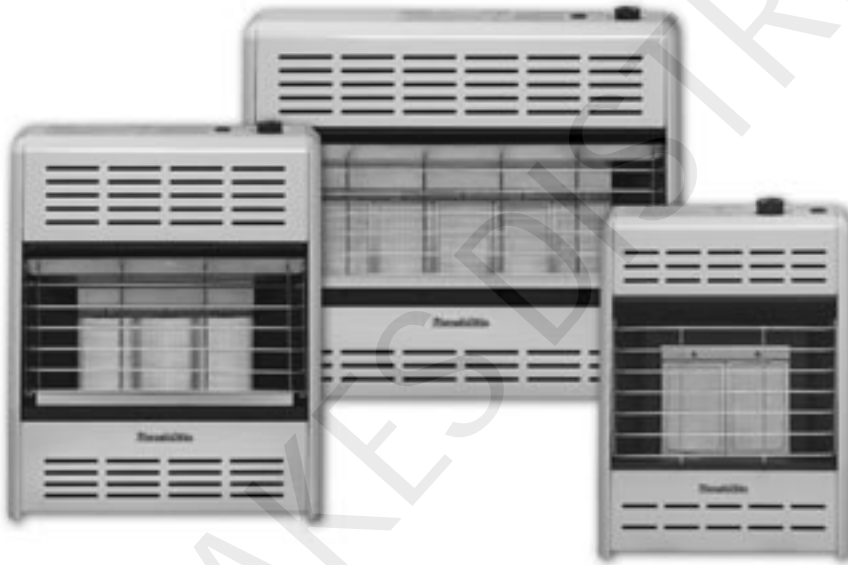


BLUE FLAME Gas Heaters – Ventless

10,000 Btu thru 30,000 Btu Models

Features:

- 99.9% efficiency – turns more gas into heat
- Pushbutton piezo ignition and standing pilot
- Heats even when electric power fails
- Oxygen depletion sensor shuts off heater before oxygen drops to unsafe level
- Wall mount or floor stand
- 3-year limited warranty on parts



SPACE/WALL HEATERS

HEARTHRITE BLUE FLAME GAS HEATERS

Model	Btu	Natural Gas	Controls	Dimensions (L x W x D)	Weight (lbs)	Price
HB10MN	10,000	Yes	Manual 2 Settings	19 1/4" x 14 5/8" x 5 5/8"	17	\$270.00
HB20TN	20,000	Yes	Thermostat	23 1/2" x 19 1/2" x 7"	25	\$330.00
HB30TN	30,000	Yes	Thermostat	23 1/2" x 27" x 7"	33	\$392.00

ACCESSORIES

HAB01	Blower - Thermostat and Manual Control	HAS02	Floor Stand for 6,000 Btu to 10,000 Btu Models	\$64.00
		HAS03	Floor Stand for 15,000 Btu to 30,000 Btu Models	\$64.00



Direct Vent Furnaces 22,000 Btu and 30,000 Btu Models

Features:

- No electricity required
- "Matchless" pilot igniter
- Easy installation – all vent material included
- Long-life, ceramic coated combustion chamber
- Heavy-duty, cast iron burners
- Automatic temperature and safety controls



Direct Vent Safety

For clean, comfortable heat when and where you want it. The gas flame is completely sealed inside, away from all contact with room air. Air necessary for combustion is drawn into the chamber from outside through direct wall vent and all combustion products are vented directly to the outside. Only clean, gentle heat in continuous circulation is delivered into the room. Windows can stay closed because no room air is used for combustion.

Recommended Minimum Clearances

- 2" from intersecting wall
- 18" from top of appliance to ceiling or other obstruction for 14,000 Btu/hr models
- 24" from top of appliance to ceiling or other obstruction for 22,000 and 30,000 Btu/hr models

Accessories

High Capacity Blower – blower is easily added to the furnace. Comes with a fully automatic fan switch. Model 2302 for 22,000 and 30,000 Btu/hr.

Vent Extensions – to meet your installation needs all models accommodate optional through-the-wall vent which may extend up to a 24" maximum. Shipping weight 10 lbs.

SPACE/WALL HEATERS

WILLIAMS DIRECT VENT FURNACES										
Model Number (nat gas)	Btu/hr Input Rating	Btu/hr Output Rating	Thermal Efficiency %	AFUE %	Width x Depth	Overall Height	Maximum Wall Thickness	Type of Control	Shipping Weight (lbs)	Price
2203622	22,000	16,462	75	67	32 1/8" x 10 1/4"	28"	24"	Millivolt Wall	98	\$1,076.00
3003622	30,000	21,849	73	66	32 1/8" x 10 1/4"	28"	24"	Millivolt Wall	100	\$1,146.00

VENT EXTENSIONS			
Model No.	Length	Application	Price
9301	15"	22036 & 30036 Series	\$100.00
9302	24"	22036 Series	\$120.00
9303	24"	30036 Series	\$120.00





Vented Hearth Heaters

Enclosed Front and Glass Front "Fireplace-Look" Models
35,000 Btu thru 65,000 Btu Models

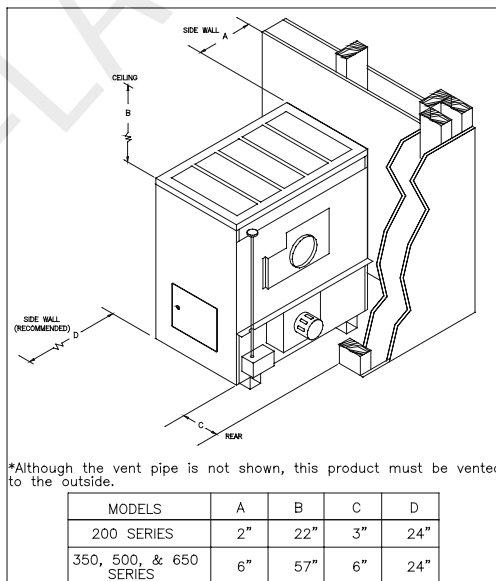


Features:

- No electricity required
- Burners engineered for quiet ignition and maximum heat efficiency
- Louvered-top design and front grill for improved heat circulation
- Built-in draft diverter to permit close-to-wall installation
- "Matchless" pilot igniter
- Automatic temperature and safety controls
- Resettable vent-limit safety switch
- Thermostat included, may be wall mounted or cabinet mounted

SPACE/WALL HEATERS

WILLIAMS VENTED HEARTH HEATERS											
Model Number (nat gas)	Btu/hr Input Rating	Btu/hr Output Rating	Color	Thermal Efficiency %	AFUE %	Width x Depth	Overall Height	Vent Size	Center Vent to Floor	Shipping Weight (lbs)	Price
Enclosed Front Models											
3501522	35,000	26,250	Black	75	68	25" x 15 3/8"	28 7/8"	4"	21 3/8"	74	\$902.00
3501922	35,000	26,250	Black	75	68	25" x 15 3/8"	28 7/8"	4"	21 3/8"	83	\$1,056.00
5001922	50,000	34,500	Black	69	64	30" x 16"	32 7/8"	4"	22 3/4"	112	\$1,224.00
6501922	65,000	50,400	Black	78	71	34" x 19 5/8"	32 7/8"	5"	24 3/4"	137	\$1,438.00
Glass Front "Fireplace-Look" Models											
3502522	35,000	26,250	Black	75	68	25" x 15 3/8"	28 7/8"	4"	21 3/8"	74	\$966.00
5002922	50,000	34,500	Black	69	64	30" x 16"	32 7/8"	4"	22 3/4"	112	\$1,414.00
6502922	65,000	50,400	Black	78	71	34" x 19 5/8"	32 7/8"	5"	24 3/4"	137	\$1,600.00



ACCESSORIES		
Model	Description	Price
Vent Collars		
9102	Black for 3" vents	\$12.00
9104	Black for 4" vents	\$12.00
Floorboards		
4163	Black for 50,000 and 65,000 Btu/hr models	\$70.00
4167	Black for 20,000 and 35,000 Btu/hr models	\$58.00



MID-LAKES DISTRIBUTING

SPACE/WALL HEATERS

THIS PAGE INTENTIONALLY LEFT BLANK





FORSAIRE FURNACES

Top Vent, Direct Vent and Electric Counterflow Models
35,000 Btu thru 65,000 Btu Models

Features:

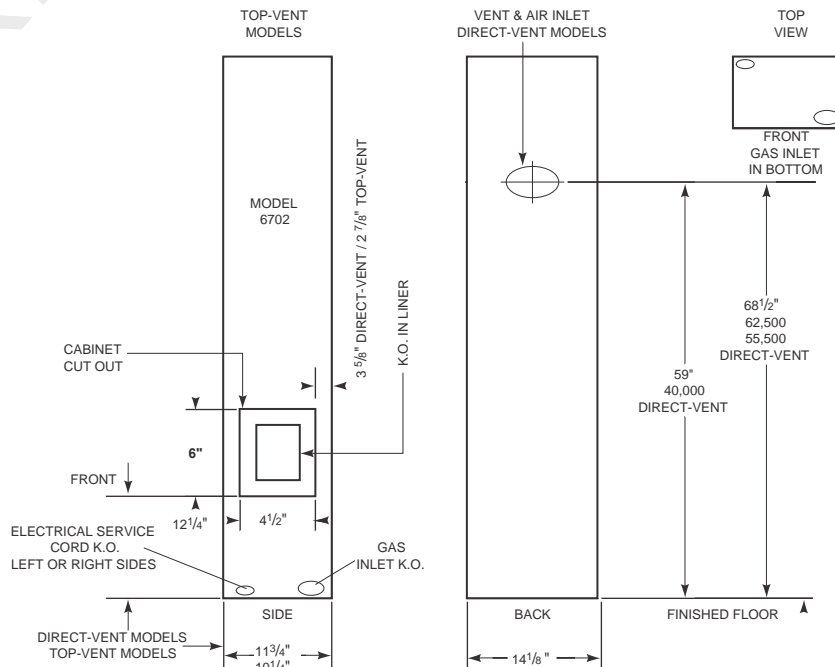
- Top Vent models receive air at ceiling level, warms it and quietly delivers it at floor level to give and equalized floor-to-ceiling temperature
- Direct Vent models use forced air circulation and use outside air for combustion. Combustion is discharged outdoors through the wall eliminating the chimney
- The electric counterflow is thermostatically controlled, providing floor-to-ceiling comfort where propane or natural gas is unavailable.
- Freestanding or recessed, forsaire furnaces are ideal for homes, apartments, offices, schools, cabins and more
- Counterflow blower system circulates ceiling-to-floor warm air
- Multi-room heating with optional outlet kits – heats up to three rooms
- Automatic temperature and safety controls

Recommended Minimum Clearances

- Top/Direct Vent
 - 4" to intersecting wall
 - 4" from top of appliance to ceiling; 2" on 60085 Series
 - 0" to finished floor
- Direct Vent
 - 18" from centerline of vent cap on all sides



SPACE/WALL HEATERS





FORSAIRE FURNACES

Top Vent, Direct Vent and Electric Counterflow Models
35,000 Btu thru 65,000 Btu Models

FORSAIRE COUNTERFLOW												
Model Number (nat gas)	Btu/hr Input Rating	Btu/hr Output Rating	Thermal Efficiency %	AFUE %	Overall Height	Blower Speed	CFM 115V	Amps	Pilot Type	Type of Control	Shipping Weight (lbs)	Price
Top-Vent Counterflow with Electrical Service Cord												
3508332	35,000	28,000	80	75	72 1/2"	1	240	0.8	Intermittent	24V Wall	95	\$1,534.00
3508732	35,000	28,000	80	75	72 1/2"	1	240	0.8	Standing	24V Wall	90	\$1,274.00
5008732	50,000	40,000	80	74	81"	2	350	2.2	Standing	24V Wall	99	\$1,392.00
6508732	65,000	52,000	80	74	87"	2	440	3.0	Standing	24V Wall	107	\$1,444.00
Top-Vent Counterflow Magnum High Efficiency with Electrical Service Cord												
6008532	60,000	49,200	82	78	80 1/4"	2	440	3.0	Standing	24V Wall	121	\$1,462.00
Direct Vent Counterflow with Electrical Service Cord - Includes 9" Vent Material												
4007332	40,000	32,000	80	75	77 3/8"	1	325	2.0	Intermittent	24V Wall	126	\$1,776.00
4007732	40,000	32,000	80	75	77 3/8"	1	325	2.0	Standing	24V Wall	126	\$1,444.00
5507332	55,000	44,000	80	76	87"	2	440	3.0	Intermittent	24V Wall	140	\$1,964.00
6257732	62,500	50,000	80	76	87"	2	440	3.0	Standing	24V Wall	140	\$1,662.00

ELECTRIC COUNTERFLOW											
Model Number	KW Input	Btu/hr Output		Minimum Voltage	Maximum Voltage	Dimensions H x W x D	CFM 115V	Amps	Type of Control	Shipping Weight (lbs)	Price
		At 240V	At 208V								
3144030	9.2	31,400	23,600	207	253	72 1/2" x 14 1/8" x 7"	375	40	24V wall	60	\$582.00

ACCESSORIES			
Model	Application	Description	Price
6701	DV, TV	Side-outlet register 10" boot	\$128.00
6702	DV, TV	Side-outlet register	\$46.00
6703	DV, TV	Two-way diffusing grille	\$48.00
6704	DV, TV	One-way diffusing grille	
6801	TV	Rear outlet register 10" boot w/damper	\$94.00
6802	TV	Rear outlet register 1" boot w/damper	\$94.00
9807	DV	15" vent tube extension	\$62.00
9812	TV	12" vent enclosure kit (for surface mount installation)	\$45.00
9824	TV	24" vent enclosure kit (for surface mount installation)	\$48.00
9836	TV	36" vent enclosure kit (for surface mount installation)	\$58.00
9901	TV	Oval vent starter kit	

SPACE/WALL HEATERS





SUBURBANAIRE

Space-Saving, High Efficiency
Through-the-Wall or Window Gas Heater

Features:

- Zone temperature control with the versatility of through-the-wall or window installation
- Warm, comfortable gas heat
- Quiet centrifugal blower system delivers warmth evenly throughout the room
- Dependable solid state ignition
- Easy installation through any exterior wall or window
- Two sizes available: 25,000 and 40,000 Btu/hr input
- Wall thermostat control included, can be wall or unit mounted
- 77% heating efficiency
- Front or rear gas connection
- Natural or propane gas models available
- Direct vent design consumes only outside air for combustion and vents exhaust gases directly to the outside
- Self contained vent system requires no separate chimney or flue





SUBURBANAIRE

Space-Saving, High Efficiency
Through-the-Wall or Window Gas Heater

SUBURBANAIRE SPECIFICATIONS		
General Data	SA25	SA40
Rated Heating Input (Btu/hr)	25,000	40,000
Gas Type	Natural or LP	Natural or LP
Gas Connection	3/8" NPT	3/8" NPT
Heating Efficiency	77%	77%
Operating Amps	1.5	2
Volts/Cycles	120/60	120/60
Main Burner	1	2
Ignition System	Solid state hot surface	Solid state hot surface
Shipping Weight	65 lbs	98 lbs

SUBURBANAIRE SIZING CHART							
Model	Front Cover			Overall Depth	Chassis		
	Width	Height	Depth		Width	Height	Depth
SA25	16 1/8"	15 3/32"	3 5/32"	23 5/8"	14 1/16"	13 1/16"	20 15/32"
SA40	21 3/4"	15 3/32"	3 5/32"	23 5/8"	20 1/16"	14 3/16"	20 15/32"

SUBURBANAIRE CLEARANCES		
	SA25	SA40
Cabinet to Combustible Construction		
Top-sides bottom	0"	0"
Cabinet to Exterior Obstructions		
Top-sides	6"	6"
Rear	36"	36"
Grille Clearances		
Top to ceiling	12"	12"
Adjacent side wall	12"	12"
Floor	6"***	6"***
Front	8'	8'
Max wall thickness	18"	18"
Min wall thickness	4"	4"
Wall opening size (w x h)	14 1/4" x 13 5/8"	20 5/16" x 14 3/8"

***2" if non combustible

SPACE/WALL HEATERS

