



FITS-ALL 80

Upflow, Horizontal and Downflow
50,000 thru 125,000 Btu Inputs



Features:

- 80% A.F.U.E.
- Cooling capacity supported 1 ½ -5 ton
- Electronic air cleaner connection (115V)
- Humidifier connection (115V)
- 5 amp fused low voltage circuit protection
- Time delay off for air conditioner SEER enhancement
- Twinning compatible
- Venting
 - Category I appliance
 - 4" venting-vertical or horizontal with approved power venter
- Controls – integrated furnace control with LED diagnostics
- Indoor air blower – three speed PSC blower motor

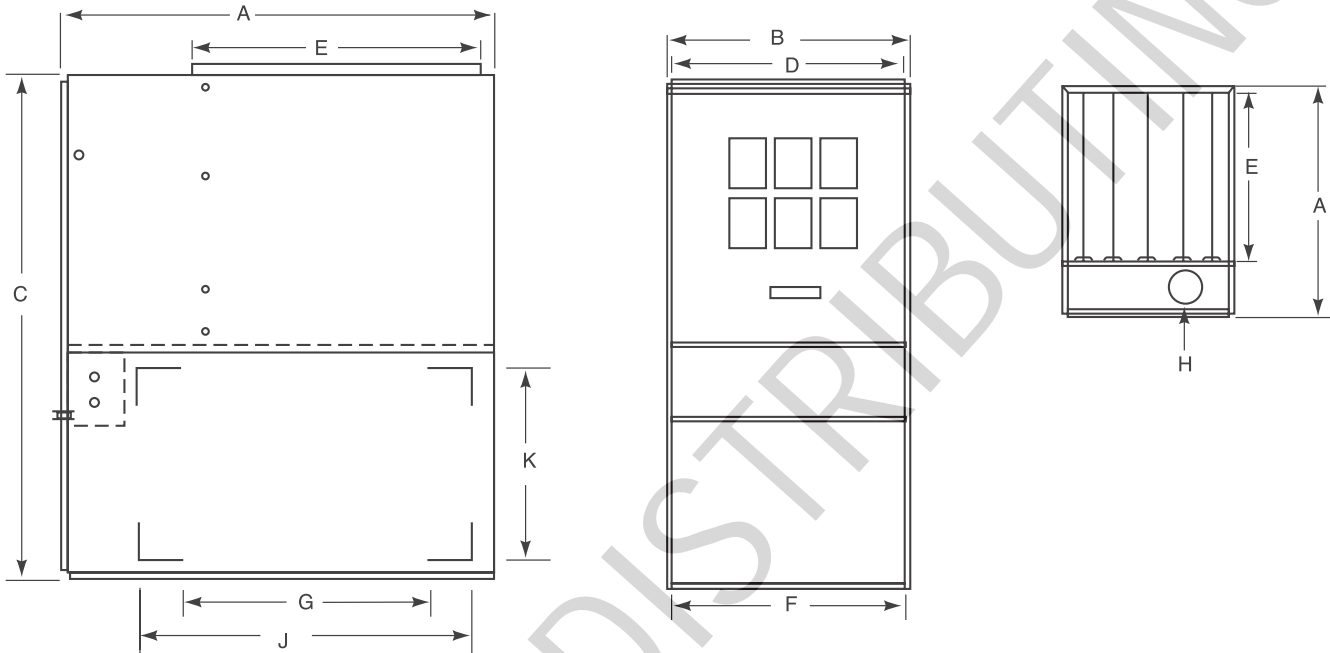
Limited Warranty:

- 25-year limited warranty on heat exchanger
- 5-year limited warranty on covered components (see warranty certificate)



FITS-ALL 80

Upflow, Horizontal and Downflow
50,000 thru 125,000 Btu Inputs



DUCANE FITS-ALL 80 FURNACE SPECIFICATIONS

Model Number	Unit Dimensions			Supply Duct Opening	Return Duct Opening*	Flue Dia.	Side Return Cut-Out		CFM	Price		
	Length	Width	Height				J	K				
	A	B	C									
MPGA050B3A	29 1/2	13 1/2	38 1/4	11 1/2	20 3/8	11 5/8	21 3/8	4	23 1/4	15	1200	\$776.00
MPGA075B3A	29 1/2	13 1/2	38 1/4	11 1/2	20 3/8	11 5/8	21 3/8	4	23 1/4	15	1200	\$832.00
MPGA075B4A	29 1/2	17	38 1/4	15	20 3/8	15 1/8	21 3/8	4	23 1/4	15	1600	\$866.00
MPGA100B3A	29 1/2	17	38 1/4	15	20 3/8	15 1/8	21 3/8	4	23 1/4	15	1200	\$866.00
MPGA100B4A	29 1/2	17	38 1/4	15	20 3/8	15 1/8	21 3/8	4	23 1/4	15	1600	\$930.00
MPGA100B5A	29 1/2	20 1/2	38 1/4	18 1/2	20 3/8	18 5/8	21 3/8	4	23 1/4	15	2000	\$946.00
MPGA125B5A	29 1/2	20 1/2	38 1/4	18 1/2	20 3/8	18 5/8	21 3/8	4	23 1/4	15	2000	\$1,024.00

*Bottom door removed
NOTE: Dimensions are in inches



FITS-ALL 92 (1 or 2 Pipe)

Upflow, Horizontal-Left Models

50,000 thru 125,000 Btu Inputs



Features:

- 92.1% A.F.U.E.
- Cooling capacity supported 1 ½ -5 ton
- Electronic air cleaner connection (115V)
- Humidifier connection (115V)
- 5 amp fuse low voltage circuit protection
- Time delay off for air conditioner SEER enhancement
- Twinning compatible
- Heat exchanger assembly
 - Crimp-tite crimped aluminized steel primary heat exchanger
 - Stainless steel secondary heat exchanger maximizes durability and efficiency
- Venting
 - Category IV appliance
 - Can be vented horizontally or vertically using 2" or 3" Schedule 40 PVC
 - Approved for 2-pipe (direct vent) or single-pipe applications
 - Approved for installations with listed concentric vent kit
- Controls – integrated furnace control with LED diagnostics
- Indoor air blower – three speed PSC blower motor

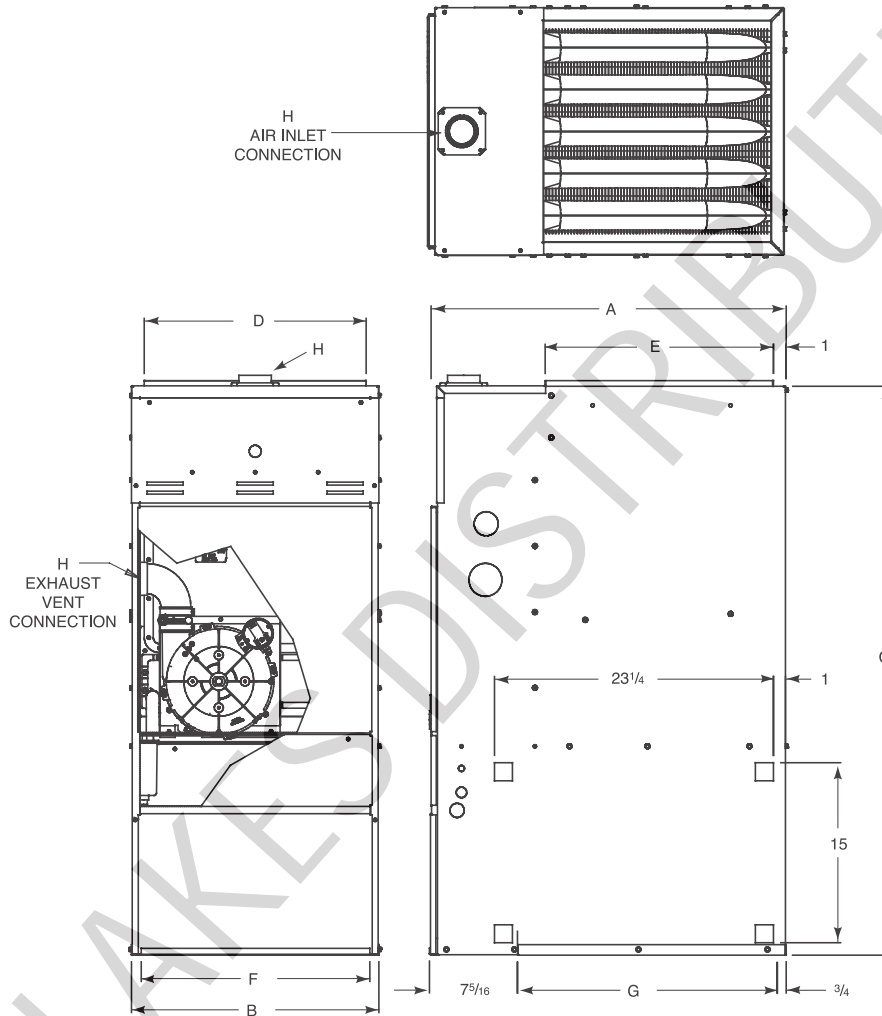
Limited Warranty:

- Limited lifetime warranty on heat exchanger
- 5-year limited warranty on covered components (see warranty certificate)



FITS-ALL 92 (1 or 2 Pipe)

Upflow, Horizontal-Left Models
50,000 thru 125,000 Btu Inputs



DUCANE FITS-ALL 92 FURANCE SPECIFICATIONS

Model Number	Unit Dimensions			Supply Duct Opening		Return Duct Opening		Vent & Air Connections	Price
	Length A	Width B	Height C	D	E	F	G	H	
CMPE050U2B	29 1/2	13 1/2	47 3/8	11 1/2	18 15/16	12	21 5/8	2	Call for Price
CMPE050U3B	29 1/2	13 1/2	47 3/8	11 1/2	18 15/16	12	21 5/8	2	\$1,236.00
CMPE075U2B	29 1/2	13 1/2	47 3/8	11 1/2	18 15/16	12	21 5/8	2	Call for Price
CMPE075U3B	29 1/2	13 1/2	47 3/8	11 1/2	18 15/16	12	21 5/8	2	\$1,332.00
CMPE100U3B	29 1/2	17	47 3/8	15	18 15/16	15 1/2	21 5/8	2	Call for Price
CMPE100U4B	29 1/2	17	47 3/8	15	18 15/16	15 1/2	21 5/8	2	\$1,510.00
CMPE125U5B	29 1/2	20 1/2	47 3/8	18 1/2	18 15/16	19	21 5/8	2	\$1,676.00

NOTE: Dimensions are in inches



FITS-ALL 92 (1 or 2 Pipe)

Upflow, Horizontal-Left Models

50,000 thru 125,000 Btu Inputs

DUCANE FITS-ALL 92 FURNACE CMPE MAXIMUM VENT LENGTHS

Application	Allowable Max Vent Lengths of 2" Dia. PVC, ABS or CPVC Sch 40 Pipe				
Number of Elbows	1	2	3	4	5
Non-direct Vent (1 pipe) System					
CMPE050U2 CMPE050U3	60	58	55	53	50
CMPE075U2 CMPE075U3					
Direct Vent (2 pipe) System					
CMPE050U2 CMPE050U3	60	58	55	53	50
CMPE075U2 CMPE075U3					
Non-direct Vent (1 pipe) System					
CMPE100U3 CMPE100U4	35	30	24	18	12
Direct Vent (2 pipe) System					
CMPE100U3 CMPE100U3	35	30	24	18	12
Non-direct Vent (1 pipe) System					
CMPE125U5	20	15	9	4	NA
Direct Vent (2 pipe) System					
CMPE125U5	20	15	9	4	NA
Application	Allowable Max Vent Lengths of 3" Dia. PVC, ABS or CPVC Sch 40 Pipe				
Number of Elbows	1	2	3	4	5
Non-direct Vent (1 pipe) System					
CMPE050U2B CMPE050U3B	80	76	73	70	65
CMPE075U2B CMPE075U3B					
Non-direct Vent (1 pipe) System					
CMPE100U3B CMPE100U4B	65	61	58	55	50
CMPE125U5B					
Direct Vent (2 pipe) System					
CMPE100U3B CMPE100U4B	80	76	73	70	65
CMPE125U5B CMPE075U3B					
Direct Vent (2 pipe) System					
CMPE100U3 CMPE100U4	65	61	58	55	50
CMPE125U5					

FURNACES



FITS-ALL 92V (1 or 2 Pipe)

Upflow, Horizontal Left

50,000 thru 125,000 Btu Inputs

**2 STAGE
VARIABLE SPEED**

Features:

- 92.1% A.F.U.E.
- Cooling capacity supported 1 ½ -5 ton
- Upflow/horizontal-left application flexibility
- Electronic air cleaner connection (115V)
- Humidifier connection (115V)
- Fused low voltage circuit protection
- Time delay for air conditioner SEER enhancement
- Field selectable low fire run time
- Controls – integrated furnace control and 2-stage gas control system with LED diagnostics for fast, accurate troubleshooting
- Indoor air blower – GE ECU variable speed motor with adjustable air flow in 200 CFM increments

Heat exchanger assembly:

- Crimp-tite crimped aluminized steel primary heat exchanger
- Stainless steel secondary heat exchanger

Venting:

- Category IV appliance
- Can be vented horizontally or vertically using 2" or 3" Schedule 40 PVC
- Approved for 2-pipe (direct vent) or single-pipe applications

Limited Warranty:

- Limited lifetime warranty on heat exchanger
- 5-year limited warranty on covered components (see warranty certificate)



FURNACES

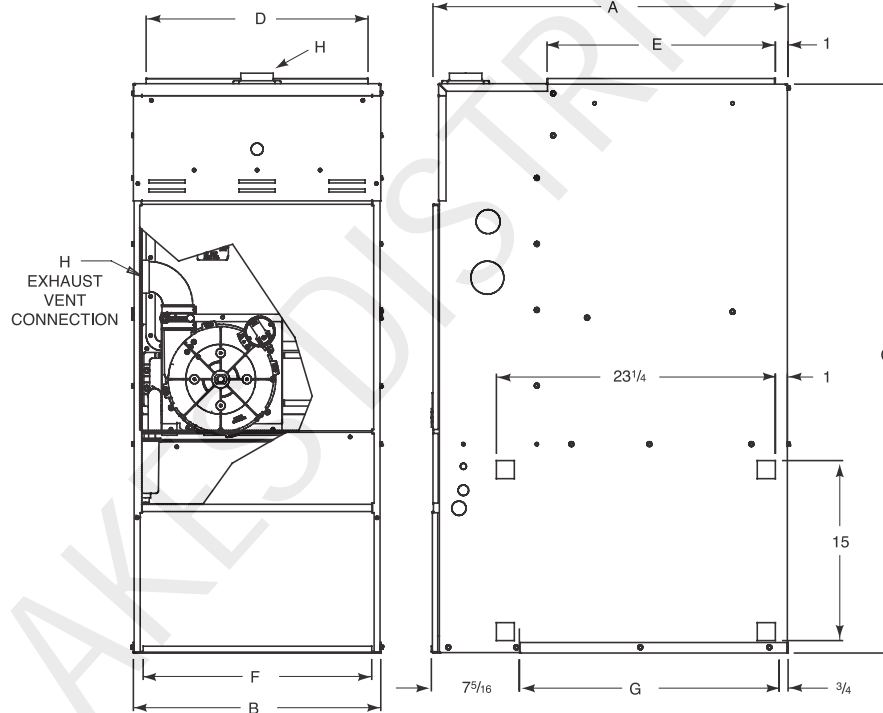
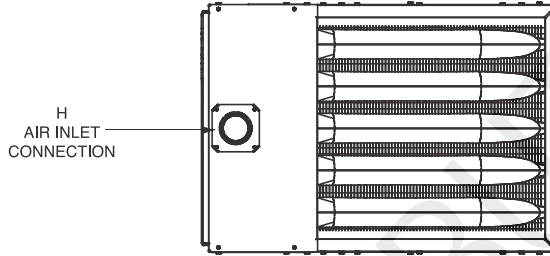


FITS-ALL 92V (1 or 2 Pipe)

Upflow, Horizontal Left

50,000 thru 125,000 Btu Inputs

**2 STAGE
VARIABLE SPEED**



FURNACES

DUCANE FITS-ALL 92V FURANCE SPECIFICATIONS									
Model Number	Unit Dimensions			Supply Duct Opening	Return Duct Opening	Vent & Air Connections			Price
	Length	Width	Height			F	G	H	
CMPEV050U3	29 1/2	13 1/2	47 3/8	11 1/2	18 15/16	12	21 5/8	2	Call for Price
CMPEV075U3	29 1/2	13 1/2	47 3/8	11 1/2	18 15/16	12	21 5/8	2	\$1,790.00
CMPEV100U4	29 1/2	17	47 3/8	15	18 15/16	15 1/2	21 5/8	2	\$1,982.00
CMPEV125U5	29 1/2	20 1/2	47 3/8	18 1/2	18 15/16	19	21 5/8	2	\$2,162.00

NOTE: Dimesions are in inches




FITS-ALL 92V (1 or 2 Pipe)
 Upflow, Horizontal Left
 50,000 thru 125,000 Btu Inputs



DUCANE FITS-ALL 92V FURNACE CMPE MAXIMUM VENT LENGTHS					
Application	Allowable Max Vent Lengths of 2" Dia. PVC, ABS or CPVC Sch 40 Pipe				
Number of Elbows	1	2	3	4	5
Non-direct Vent (1 pipe) System					
CMPEV050U3	60	58	55	53	50
CMPEV075U3					
Direct Vent (2 pipe) System					
CMPEV050U3	60	58	55	53	50
CMPEV075U3					
Non-direct Vent (1 pipe) System					
CMPEV100U4 Upflow Only	35	30	24	18	12
Non-direct Vent (1 pipe) System					
CMPEV100U4 Horizontal Only	20	15	9	4	NA
Direct Vent (2 pipe) System					
CMPEV125U5 Upflow or Horizontal	20	15	9	4	NA
Application	Allowable Max Vent Lengths of 3" Dia. PVC, ABS or CPVC Sch 40 Pipe				
Number of Elbows	1	2	3	4	5
Non-direct Vent (1 pipe) System					
CMPEV050U3	80	76	73	70	65
CMPEV075U3					
Non-direct Vent (1 pipe) System					
CMPEV100U4	65	61	58	55	50
CMPEV125U5					
Direct Vent (2 pipe) System					
CMPEV050U3	80	76	73	70	65
CMPEV075U3					
Direct Vent (2 pipe) System					
CMPEV100U4	65	61	58	55	50
CMPEV125U5					

FURNACES





MODEL 310AAV

4-Way Multipoise, Induced Combustion, Gas Furnace
45,000 thru 155,000 Btu Input



Features:

- 80% A.F.U.E.
- Noise elimination combustion system
- Microprocessor based control center
- Adjustable heating air temperature rise
- LED diagnostics and self test feature
- Four position furnace: upflow, horizontal right, horizontal left, downflow
- Shorter in height, only 33 1/3" tall
- Hot surface ignition (HSI)
- Twinning in upflow, downflow and horizontal
- Category I Venting

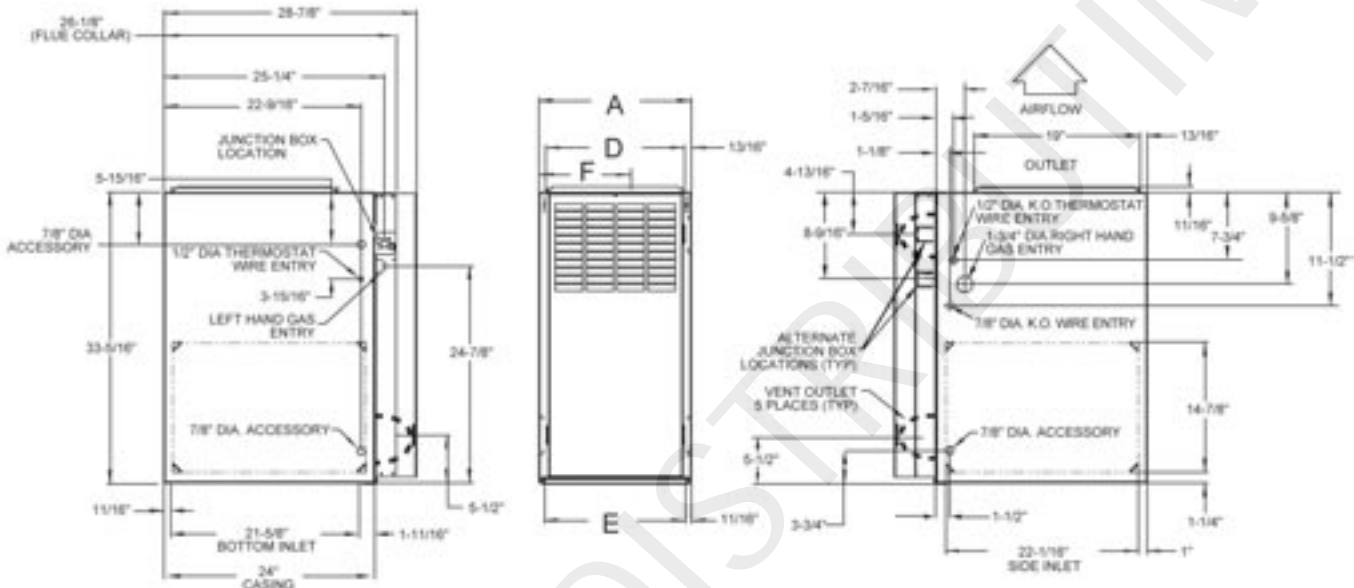
Limited Warranty:

- 20 year warranty on "Super S" heat exchanger
- 5-year parts warranty on all other components



MODEL 310AAV

4-Way Multipoise, Induced Combustion, Gas Furnace
45,000 thru 155,000 Btu Input



* For airflow requirements above 1800 CFM, see Air delivery table in product data literature for specific use of single side inlets. The use of both side inlets, a combination of 1 side and the bottom, or the bottom only will ensure adequate return air openings for airflow requirements above 1800 CFM.

BRYANT MODEL 310AAV FURNACE							
310AAV Unit Size	A (Cabinet Width)	D (Supply Width)	E (Bottom Return Width)	F (C.L. Top and Bottom Vent Outlet)	Vent Connection Size*	CFM	Price
024045	14 3/16	12 9/16	12 11/16	9 5/16	4	800	\$954.00
036045	14 3/16	12 9/16	12 11/16	9 5/16	4	1200	\$992.00
024070	14 3/16	12 9/16	12 11/16	9 5/16	4	800	\$960.00
036070	14 3/16	12 9/16	12 11/16	9 5/16	4	1200	\$992.00
048070	17 1/2	15 7/8	16 1/8	11 9/16	4	1600	\$1,066.00
042090	17 1/2	15 7/8	16 1/8	11 9/16	4	1400	\$1,026.00
048090	21	19 3/8	19 1/2	13 5/16	4	1600	\$1,080.00
060090	21	19 3/8	19 1/2	13 5/16	4	2000	Call for Price
036110	17 1/2	15 7/8	16 1/8	11 9/16	4	1200	\$1,126.00
048110	21	19 3/8	19 1/2	13 5/16	4	1600	\$1,142.00
066110	21	19 3/8	19 1/2	13 5/16	4	2000	\$1,170.00
048135	21	19 3/8	19 1/2	13 5/16	4*	1600	\$1,216.00
066135	24 1/2	22 7/8	23	15 1/16	4*	2000	\$1,264.00
060155	24 1/2	22 7/8	23	15 1/16	4*	2000	\$1,426.00

*135 and 155 size furnaces require five-inch vents. Use a 4-5 inch vent adapter between furnace and vent stack

FURNACES





MODEL 312AAV

Two Stage, 4-Way Multipoise, Induced Combustion, Gas Furnace
45,000 thru 155,000 Btu Input



Features:

- 80% A.F.U.E.
- Perfect heat operation
- Two-stage heating
- Very low operating sound through low-stage operation and noise elimination combustion system
- Four position furnace: upflow, horizontal right, horizontal left, downflow
- Shorter in height – only 33 1/3" tall
- Media filter cabinet included
- Insulated blower compartment
- Microprocessor based "smart" control center
- Adapts heating stages to meet demand
- Continuous fan speed adjustable from thermostat
- Adjustable heating air temperature rise
- LED diagnostics, non-volatile fault code memory and self test failure
- Hot surface ignition (HSI)
- Category I Venting

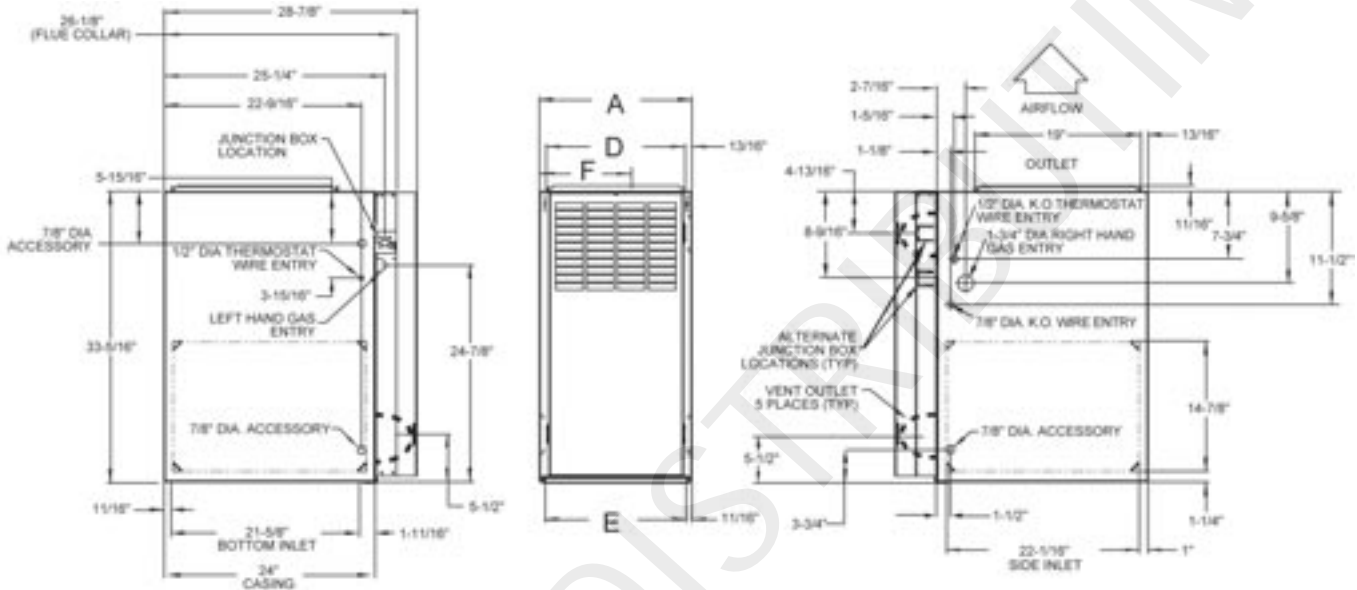
Limited Warranty:

- 20-year warranty on "Super S" heat exchanger
- 5-year parts warranty on all other components



MODEL 312AAV

Two Stage, 4-Way Multipoise, Induced Combustion, Gas Furnace
45,000 thru 155,000 Btu Input



* For airflow requirements above 1800 CFM, see Air delivery table in product data literature for specific use of single side inlets. The use of both side inlets, a combination of 1 side and the bottom, or the bottom only will ensure adequate return air openings for airflow requirements above 1800 CFM.

BRYANT MODEL 312AAV FURNACE

312AAV Unit Size	A (Cabinet Width)	D (Supply Width)	E (Bottom Return Width)	F (C.L. Top & Bottom Vent Outlet)	Vent Connection Size*	CFM	Price
024045	14 3/16	12 9/16	12 11/16	9 5/16	4	800	Call for Price
036045	14 3/16	12 9/16	12 11/16	9 5/16	4	1200	Call for Price
024070	14 3/16	12 9/16	12 11/16	9 5/16	4	800	Call for Price
036070	14 3/16	12 9/16	12 11/16	9 5/16	4	1200	Call for Price
048070	17 1/2	15 7/8	16 1/8	11 9/16	4	1600	Call for Price
042090	17 1/2	15 7/8	16 1/8	11 9/16	4	1400	Call for Price
048090	21	19 3/8	19 1/2	13 5/16	4	1600	Call for Price
060090	21	19 3/8	19 1/2	13 5/16	4	2000	Call for Price
036110	17 1/2	15 7/8	16 1/8	11 9/16	4	1200	Call for Price
048110	21	19 3/8	19 1/2	13 5/16	4	1600	Call for Price
066110	21	19 3/8	19 1/2	13 5/16	4	2000	Call for Price
048135	21	19 3/8	19 1/2	13 5/16	4*	1600	Call for Price
066135	24 1/2	22 7/8	23	15 1/16	4*	2000	Call for Price
060155	24 1/2	22 7/8	23	15 1/16	4*	2000	Call for Price

*135 and 155 size furnaces require 5" vents. Use a 4-5 inch vent adapter between furnace and vent stack.

FURNACES





MODEL 340MAV (2 Pipe)

Single Stage, 4-Way Multipoise, Direct Vent, Condensing Gas Furnace
40,000 thru 140,000 Btu Input

Features:

- 4-Way multipoise design – allows this model to be installed in an upflow, downflow, or horizontal orientation
- Sealed combustion (direct vent) system
- 3-pass primary heat exchangers
- Flow-through secondary heat exchangers
- Combustion air and ventilation allows Schedule 40PVC
- Insulated casing – foil-faced insulation in the heat exchanger section cuts heat loss
- Category IV Venting

Control Center:

- The printed-circuit board and all internal wiring are factory installed
- Convenient terminals permit quick-connection of a thermostat and air conditioning control circuits
- Connections for a humidifier and air cleaner are also provided

Limited Warranty:

- 20-year on the heat exchangers
- 1-year on all other parts



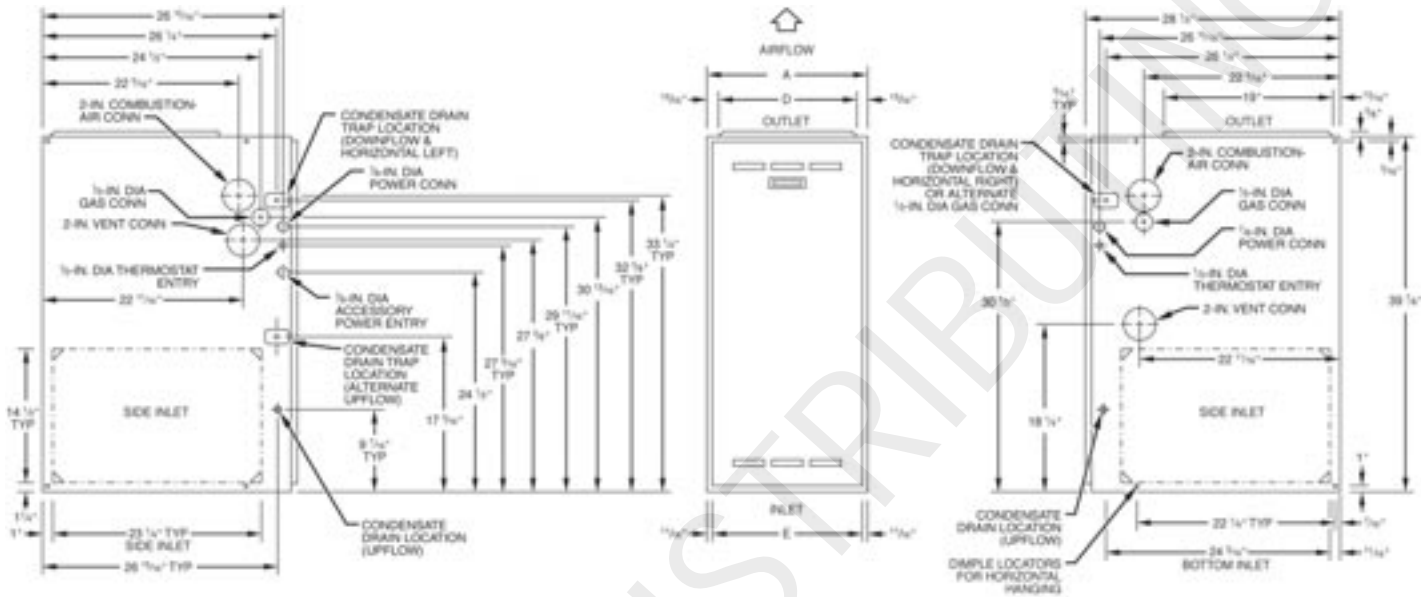
340MAV COMBUSTION-AIR AND VENT PIPING MAXIMUM ALLOWABLE PIPE LENGTH (FT)

Unit Size	Termination Type	Pipe Dia (in)*	Number of 90° Elbows					
			1	2	3	4	5	6
024040 036040	2 Pipe or 2-In. Concentric	1	5	NA	NA	NA	NA	NA
		1 1/2	70	70	65	60	60	55
		2	70	70	70	70	70	70
024060 036060 048060	2 Pipe or 2-In. Concentric	1 1/2	20	15	10	5	NA	NA
		2	70	70	70	70	70	70
036080 048080 060080	2 Pipe or 2-In. Concentric	1 1/2	10	NA	NA	NA	NA	NA
		2	55	50	35	30	30	20
		2 1/2	70	70	70	70	70	70
048100 060100	2 Pipe or 3-In. Concentric	2	5	NA	NA	NA	NA	NA
		2 1/2	40	30	20	20	10	NA
		3	70	70	70	70	70	70
060120	2 Pipe or 3-In. Concentric	2 1/2 one disk	10	NA	NA	NA	NA	NA
		3	45	40	35	30	25	20
		3 no disk	70	70	70	70	70	70
060140	2 Pipe or 3-In. Concentric	2 1/2 one disk	5	NA	NA	NA	NA	NA
		3 one disk	40	35	30	25	20	15
		3 no disk	60	56	52	48	44	40
		4 no disk	70	70	70	70	70	70



MODEL 340MAV (2 Pipe)

Single Stage, 4-Way Multipoise, Direct Vent, Condensing Gas Furnace
40,000 thru 140,000 Btu Input



- NOTES:**
- Minimum return-air openings at furnace, based on metal duct. If flex duct is used, see flex duct manufacturer's recommendations for equivalent diameters.
 - Minimum return-air opening at furnace:
 - For 800 CFM—16-in. round or 14½ x 12-in. rectangle.
 - For 1200 CFM—20-in. round or 14½ x 19½-in. rectangle.
 - For 1600 CFM—22-in. round or 14½ x 23½-in. rectangle.
 - For airflow requirements above 1800 CFM, see Air Delivery table in Product Data literature for specific use of single side inlets. The use of both side inlets, a combination of 1 side and the bottom, or the bottom only will ensure adequate return air openings for airflow requirements above 1800 CFM at 0.5" W.C. ESP.

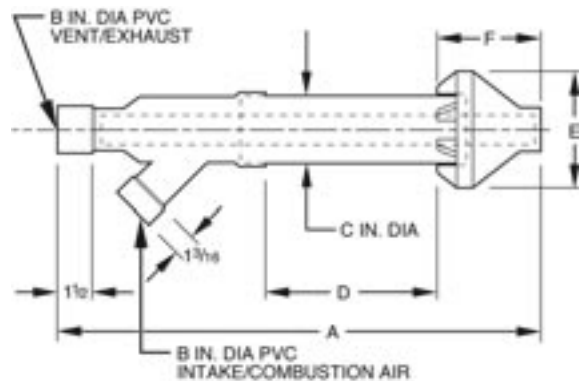
OPTIONAL:

340MAV SPECIFICATIONS					
Unit Size	A	D	E	CFM	Price
024040	17 1/2	15 7/8	16	800	\$2,210.00
036040	17 1/2	15 7/8	16	1200	\$1,780.00
024060	17 1/2	15 7/8	16	800	\$1,812.00
036060	17 1/2	15 7/8	16	1200	\$1,812.00
048060	17 1/2	15 7/8	16	1600	Call for Price
036080	17 1/2	15 7/8	16	1200	\$1,908.00
048080	17 1/2	15 7/8	16	1600	\$1,940.00
060080	21	19 3/8	19 1/2	2000	\$2,050.00
048100	21	19 3/8	19 1/2	1600	\$2,054.00
060100	21	19 3/8	19 1/2	2000	\$2,224.00
060120	24 1/2	22 7/8	23	2000	\$2,250.00
060140	24 1/2	22 7/8	23	2000	\$2,448.00

NOTE: Dimensions are in inches

CONCENTRIC VENT DIMENSIONS (INCHES)						
Part No.	A*	B	C	D†	E	F
KGAVT0501CVT	33 3/8	2	3 1/2	16 5/8	6 1/4	5 3/4
KGAVT0601CVT	38 7/8	3	4 1/2	21 1/8	7 3/8	6 1/2

*Dimension A will change accordingly as dimension D is lengthened or shortened
†Dimension D may be lengthened to 60" maximum. Dimension D may also be shortened by cutting the pipes provided in the kit to 12" min.



FURNACES





MODEL 58STA

Single Stage, 4-Way Multipoise, Induced-Combustion, Gas Furnace
45,000 thru 155,000 Btu Inputs



Features:

- 80% A.F.U.E
- Quietech system noise reduction system
- Microprocessor based control center
- LED diagnostics and self test feature
- Adjustable heating air temperature rise
- Adjustable cooling airflow
- 4-way multipoise furnace
- Compact design – only 33 $\frac{1}{3}$ " tall
- Hot surface ignition (HSI)
- Inner door for tighter sealing
- Category I Venting

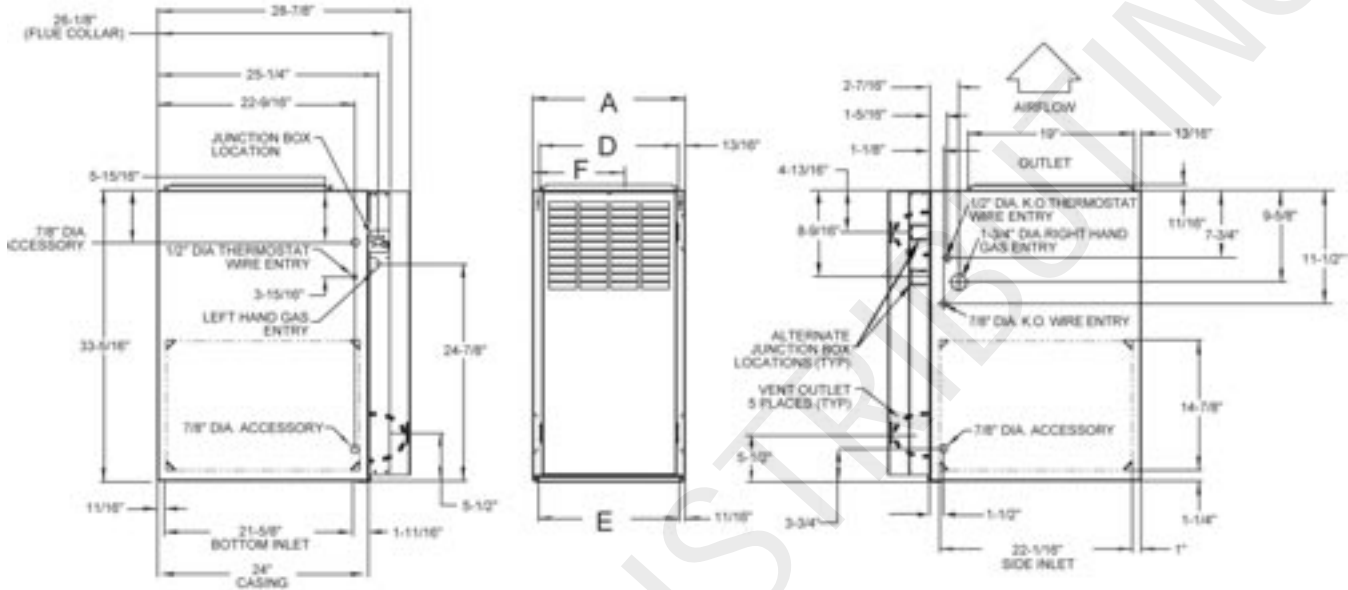
Limited Warranty:

- 20-year warranty on "Super S" heat exchanger
- 5-year parts warranty on all other components



MODEL 58STA

Single Stage, 4-Way Multipoise, Induced-Combustion, Gas Furnace
45,000 thru 155,000 Btu Inputs



CARRIER MODEL 58STA FURNACE SPECIFICATIONS							
58STA Unit Size	A (Cabinet Width)	D (Supply Width)	E (Bottom Return Width)	F (Top Vent Outlet)	Vent Connection Size	CFM	Price
045-08	14 3/16	12 9/16	12 11/16	9 5/16	4	800	\$1,088.00
045-12	14 3/16	12 9/16	12 11/16	9 5/16	4	1200	\$1,128.00
070-08	14 3/16	12 9/16	12 11/16	9 5/16	4	800	\$1,094.00
070-12	14 3/16	12 9/16	12 11/16	9 5/16	4	1200	\$1,128.00
070-16	17 1/2	15 7/8	16 1/8	11 9/16	4	1600	\$1,200.00
090-14	17 1/2	15 7/8	16 1/8	11 9/16	4	1400	\$1,158.00
090-16	21	19 3/8	19 1/2	13 5/16	4	1600	\$1,212.00
090-20	21	19 3/8	19 1/2	13 5/16	4	2000	Call for Price
110-12	17 1/2	15 7/8	16 1/8	11 9/16	4	1200	\$1,258.00
110-16	21	19 3/8	19 1/2	13 5/16	4	1600	\$1,274.00
110-22	21	19 3/8	19 1/2	13 5/16	4	2000	\$1,304.00
135-16	21	19 3/8	19 1/2	13 5/16	4 (note 1)	1600	\$1,348.00
135-22	24 1/2	22 7/8	23	15 1/16	4 (note 1)	2000	\$1,394.00
155-20	24 1/2	22 7/8	23	15 1/16	4 (note 1)	2000	\$1,554.00

1. 135 and 155 size furnaces require 5" vents. Use a 4-5" vent adapter between furnace and vent stack.
2. See installation instructions for complete installation requirements.
3. Dimensions are in inches

FURNACES





58CTA – PERFORMANCE 80

Two-Stage, 4-Way Multipoise, Induced-Combustion Furnace
45,000 thru 155,000 Btu Inputs



Features:

- 80% A.F.U.E.
- ComfortHeat technology intelligent microprocessor control
- LED diagnostics and self test feature
- Adjustable heating air temperature rise
- Adjustable cooling airflow
- Two-stage heating with single-stage thermostat with patented adaptive control technology
- Very low operating sound through low-stage operation and Quietech system
- 4-way multipoise furnace
- Compact design – only 33 1/3" tall
- Hot surface ignitor (HSI)
- Insulated blower compartment
- Inner door for tighter sealing
- Category I Venting
- Media filter cabinet included

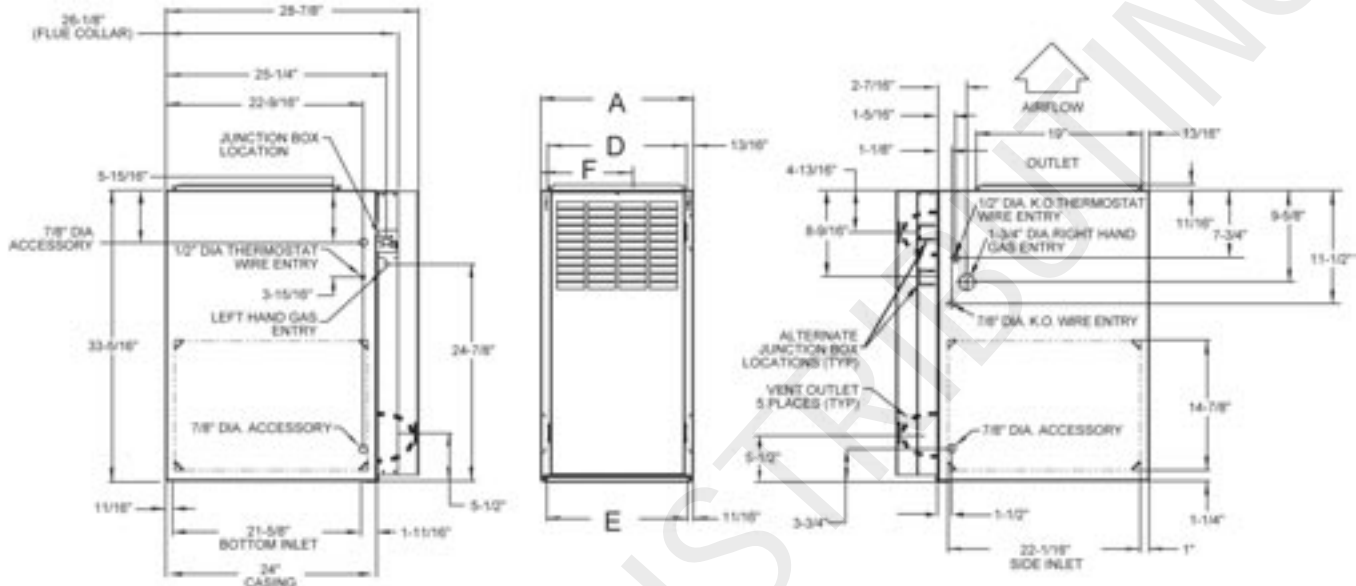
Limited Warranty:

- 20-year warranty on "Super S" heat exchanger
- 5-year parts warranty on all other components



58CTA – PERFORMANCE 80

Two-Stage, 4-Way Multipoise, Induced-Combustion Furnace
45,000 thru 155,000 Btu Inputs



CARRIER MODEL 58CTA FURNACE SPECIFICATIONS

58CTA Unit Size	A (Cabinet Width)	D (Supply Width)	E (Bottom Return Width)	F (Top Vent Outlet)	Vent Connection Size	Media Cabinet Size (inches)	CFM	Price
045-08	14 3/16	12 9/16	12 11/16	9 5/16	4	16	800	\$1,774.00
045-12	14 3/16	12 9/16	12 11/16	9 5/16	4	16	1200	Call for Price
070-08	14 3/16	12 9/16	12 11/16	9 5/16	4	16	800	\$1,912.00
070-12	14 3/16	12 9/16	12 11/16	9 5/16	4	16	1200	\$1,974.00
070-16	17 1/2	15 7/8	16 1/8	11 9/16	4	16	1600	\$2,150.00
090-14	17 1/2	15 7/8	16 1/8	11 9/16	4	16	1400	\$2,120.00
090-16	21	19 3/8	19 1/2	13 5/16	4	20	1600	\$2,210.00
090-20	21	19 3/8	19 1/2	13 5/16	4	20	2000	Call for Price
110-12	17 1/2	15 7/8	16 1/8	11 9/16	4	16	1200	\$2,182.00
110-16	21	19 3/8	19 1/2	13 5/16	4	20	1600	\$2,304.00
110-22	21	19 3/8	19 1/2	13 5/16	4	20	2000	\$2,394.00
135-16	21	19 3/8	19 1/2	13 5/16	4*	20	1600	\$2,516.00
135-22	24 1/2	22 7/8	23	15 1/16	4*	24	2000	\$2,708.00
155-20	24 1/2	22 7/8	23	15 1/16	4*	24	2000	\$2,902.00

*135 and 155 size furnaces require 5" vents. Use a 4-5" vent adapter between furnace and vent stack.



MODEL 58MXA (2 Pipe)

Highly Efficient, 4-Way Multipoise, Fixed-Capacity, Direct Vent, Deluxe Condensing Gas Furnace
40,000 thru 138,000 Btu Inputs



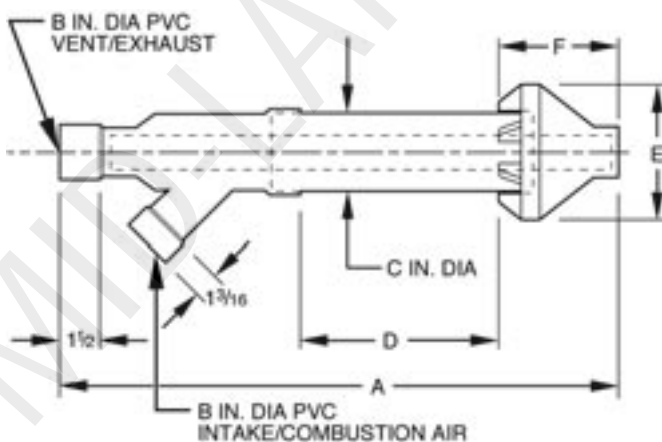
Features:

- Media filter cabinet allows for easy addition of a high efficiency air filter
- Insulated blower compartment
- Combustion products venting – the combustion air and vent pipes can terminate through a side wall or through the roof when used with a factory authorized vent termination kit
- Hot surface igniter (HSI)
- Control center – microprocessor controls sequencing and furnace operation
- Adjustable blower speed – precise airflow selection of heating or cooling operation
- Direct vent sealed combustion system
- Cleanable filter with retainer is standard
- Category IV Venting

Limited Warranty:

- Limited lifetime warranty on the heat exchangers
- 5-year parts warranty on all other components

OPTIONAL CONCENTRIC VENT KIT



CONCENTRIC VENT DIMENSIONS (INCHES)						
Kit Part No.	A*	B	C	D†	E	F
KGAVT0501CVT	33 3/8	2	3 1/2	16 5/8	6 1/4	5 3/4
KGAVT0601CVT	38 7/8	3	4 1/2	21 1/8	7 3/8	6 1/2

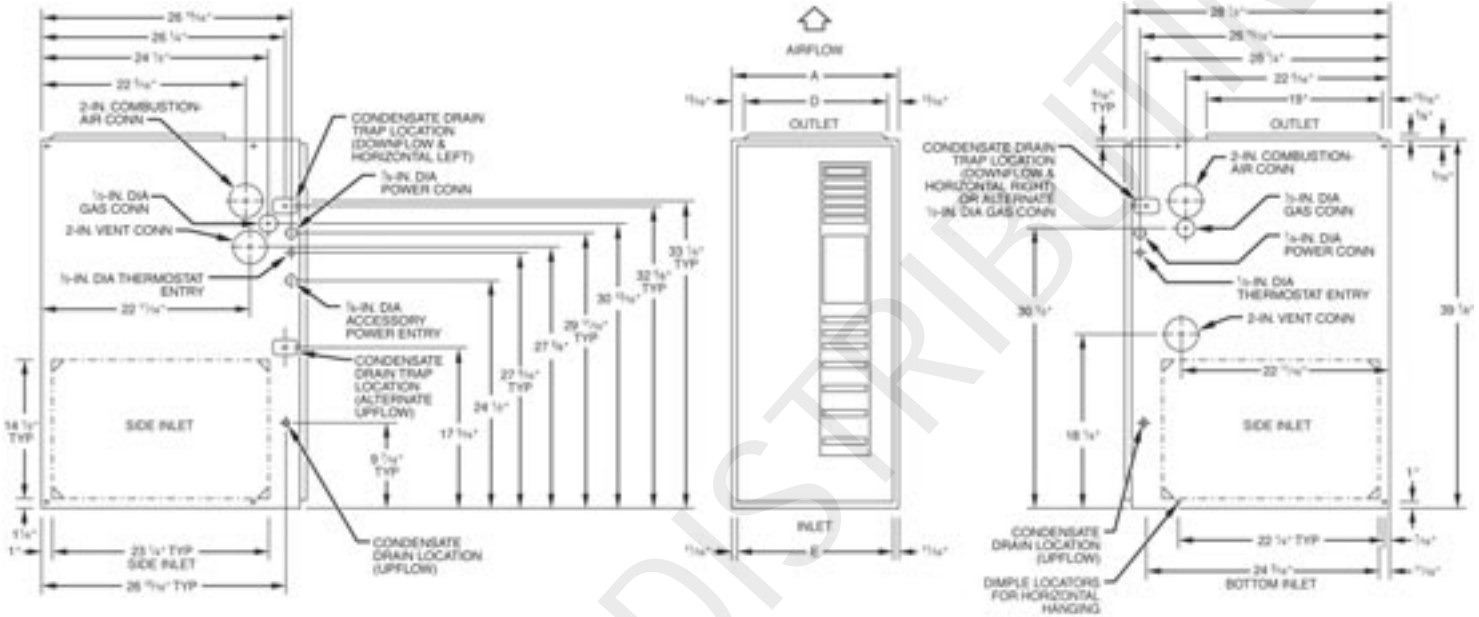
*Dimension A will change accordingly as dimension D is lengthened or shortened.
†Dimension D may be lengthened to 60" maximum. Dimension D may also be shortened by cutting the pipes provided in the kit to 12" minimum.

FURNACES



MODEL 58MXA (2 Pipe)

Highly Efficient, 4-Way Multipoise, Fixed-Capacity,
Direct Vent, Deluxe Condensing Gas Furnace
40,000 thru 138,000 Btu Inputs



- NOTES:**
1. Minimum return-air openings at furnace, based on metal duct. If flex duct is used, see flex duct manufacturer's recommendations for equivalent diameters.
 2. Minimum return-air opening at furnace:
 - a. For 800 CFM—16-in. round or 14 1/2 x 12-in. rectangle.
 - b. For 1200 CFM—20-in. round or 14 1/2 x 19 1/2-in. rectangle.
 - c. For 1600 CFM—22-in. round or 14 1/2 x 23 1/2-in. rectangle.
 - d. For airflow requirements above 1800 CFM, see Air Delivery table in Product Data literature for specific use of single side inlets. The use of both side inlets, a combination of 1 side and the bottom, or the bottom only will ensure adequate return air openings for airflow requirements above 1800 CFM at 0.5" W.C. ESP.

58MXA SPECIFICATIONS					
Unit Size	A	D	E	CFM	Price
040-08	17 1/2	15 7/8	16	800	Call for Price
040-12	17 1/2	15 7/8	16	1200	\$2,436.00
060-08	17 1/2	15 7/8	16	800	Call for Price
060-12	17 1/2	15 7/8	16	1200	\$2,496.00
060-16	17 1/2	15 7/8	16	1600	\$2,570.00
080-12	17 1/2	15 7/8	16	1200	\$2,586.00
080-16	17 1/2	15 7/8	16	1600	\$2,734.00
080-20	21	19 3/8	19 1/2	2000	\$2,846.00
100-16	21	19 3/8	19 1/2	1600	\$2,884.00
100-20	21	19 3/8	19 1/2	2000	\$3,090.00
120-20	24 1/2	22 7/8	23	2000	\$3,154.00
140-20	24 1/2	22 7/8	23	2000	\$3,264.00

NOTE: Dimensions are in inches



**MODEL 58MXA**

Highly Efficient, 4-Way Multipoise, Fixed-Capacity,
Direct Vent, Deluxe Condensing Gas Furnace
40,000 thru 138,000 Btu Inputs

MAXIMUM ALLOWABLE EXPOSED VENT PIPE LENGTH (FT) WITH AND WITHOUT INSULATION IN WINTER DESIGN TEMPERATURE AMBIENT*				
Unit Size	Winter Design Temperature (°F)	Max Pipe Diameter (in)	Without Insulation	With 3/8-in. or Thicker Insulation†
040-08 040-12	20	1 1/2	51	70
	0	1 1/2	28	70
	-20	1 1/2	16	70
060-08 060-12 060-16	20	2	65	70
	0	2	35	70
	-20	2	20	70
080-12 080-16 080-20	20	2 1/2	70	70
	0	2 1/2	47	70
	-20	2 1/2	28	70
100-16 100-20	20	3	70	70
	0	3	50	70
	-20	3	28	70
120-20	20	4	70	70
	0	4	48	70
	-20	4	23	70
140-20	20	4	70	70
	0	4	57	70
	-20	4	30	70

*Pipe length (ft) specified for maximum vent pipe lengths located in unconditioned spaces. Vent pipes located in unconditioned space cannot exceed the total allowable pipe length as specified in maximum allowable pipe length table.

†Insulation thickness based on R value of 3.5 per in.



MODEL 58MXA

Highly Efficient, 4-Way Multipoise, Fixed-Capacity,
Direct Vent, Deluxe Condensing Gas Furnace
40,000 thru 138,000 Btu Inputs

58MXA COMBUSTION -AIR AND VENT PIPING MAXIMUM ALLOWABLE PIPE LENGTH (FT)								
Unit Size	Termination Type	Pipe Dia (in)*	Number of 90° Elbows					
			1	2	3	4	5	6
040-08 040-12	2 Pipe or 2-In. Concentric	1	5	NA	NA	NA	NA	NA
		1 1/2	70	70	65	60	60	55
		2	70	70	70	70	70	70
060-08 060-12 060-16	2 Pipe or 2-In. Concentric	1 1/2	20	15	10	5	NA	NA
		2	70	70	70	70	70	70
080-12 080-16 080-20	2 Pipe or 2-In. Concentric	1 1/2	10	NA	NA	NA	NA	NA
		2	55	50	35	30	30	20
		2 1/2	70	70	70	70	70	70
100-16 100-20	2 Pipe or 3-In. Concentric	2	5	NA	NA	NA	NA	NA
		2 1/2	40	30	20	20	10	NA
		3	70	70	70	70	70	70
120-20	2 Pipe or 3-In. Concentric	2 1/2 one disk	10	NA	NA	NA	NA	NA
		3†	45	40	35	30	25	20
		3† no disk	70	70	70	70	70	70
140-20	2 Pipe or 3-In. Concentric	2 1/2 one disk	5	NA	NA	NA	NA	NA
		3† one disk	40	35	30	25	20	15
		3† no disk	60	56	52	48	44	40
		4† no disk	70	70	70	70	70	70

